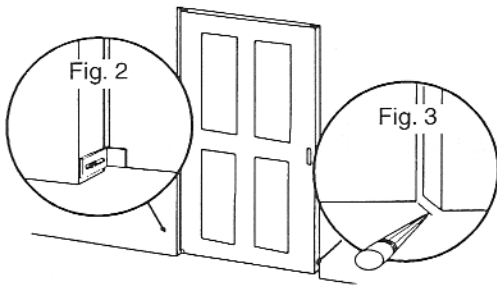
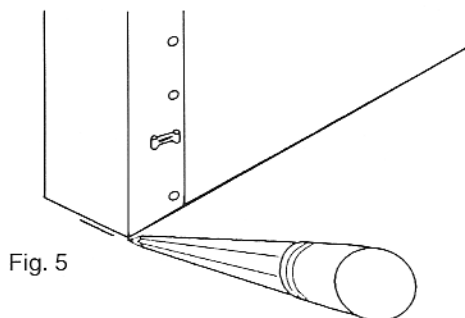


Please see next page for help selecting header length and J-trim width for Timely's Pocket Trim Set.

1. Install the internal pocket frame kit, door and hardware (provided by others) following the manufacturer's installation instructions.
2. Roll door out of pocket while watching door guide at bottom of split jamb until only 3/8" of door remains in guide. This is where we want the door to stop when it makes contact with strike jamb.
(See Fig. 2)
3. Using the edge of door for reference make a mark on floor showing where strike jamb will be.
(See Fig. 3)

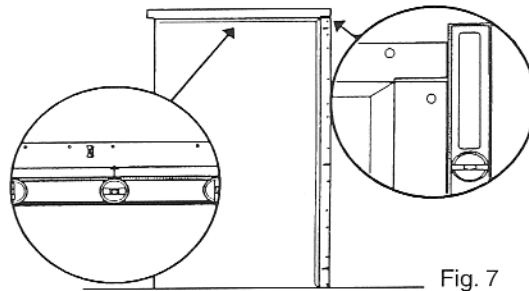


4. If the door rolls too far back into pocket, it will be necessary to nail a wood shim on the edge of the door where it strikes the bumper stop. Note: The Timely Pocket Trim Set will trim out the opening to measure 1/2" less than the door width. (See next page)
5. Sleeve the strike jamb over the wall. Line strike jamb up with mark on floor and fasten square to wall and plumb. Note: Fasten only at top and bottom at this time because jamb may later require lifting to ensure a header that is level.
(See Fig. 5)

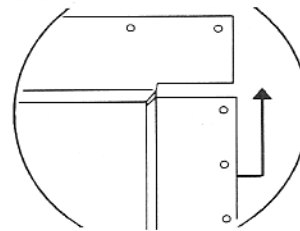


6. Place one J-trim header and one J-trim upright in position on wall. Note: Notch for door guide goes towards floor.
7. Make sure J-trim header is even with edge of strike jamb upright and level before fastening to wall.
(See Fig. 7)

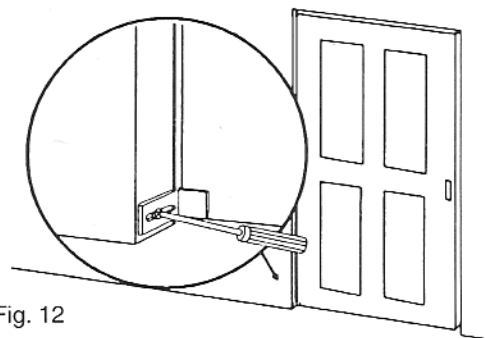
WARNING: IF J-TRIM FASTENERS ARE TOO LONG THEY MAY DAMAGE DOOR



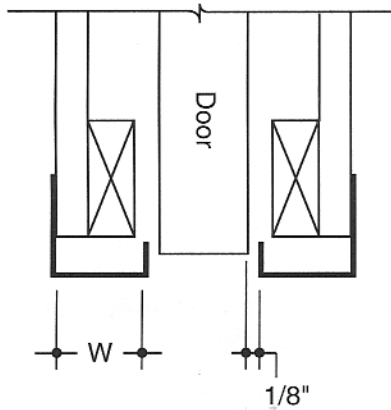
8. If there is a gap between strike jamb and header, raise strike jamb to header and re-fasten square to wall and plumb. **(See Fig. 8)**



9. Using door hangers adjust door to proper height and parallel to strike jamb.
10. Repeat steps 6 through 7 for other side of wall.
11. Lift each J-trim upright tight against header and fasten even with end of header using one screw at top only.
12. Hold bottom of uprights tight against wall. Check clearance between bottom of uprights and door, adjust as needed using door guides. **(See Fig. 12)**



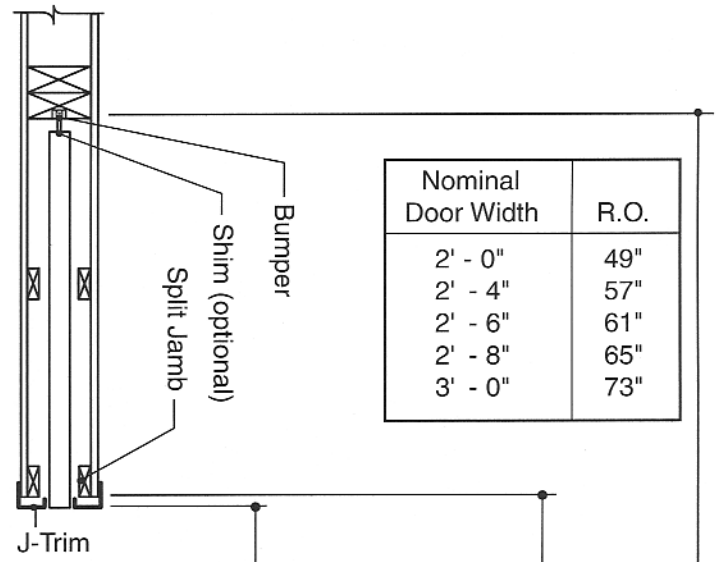
13. Install remaining fasteners, one next to each casing clip recommended.
14. Install casing. Note: Please refer to Timely casing installation sheet.



J-Trim Selection		
Wall Size	W	
	1 3/8" Door	1 3/4" Door
4 1/2"	1 3/8"	1 3/16"
4 5/8"	1 7/16"	1 1/4"
4 3/4"	1 1/2"	1 5/16"
4 7/8"	1 9/16"	1 3/8"
5 3/8"	1 13/16"	1 5/8"
6 5/8"	2 7/16"	2 1/4"
6 7/8"	2 9/16"	2 3/8"

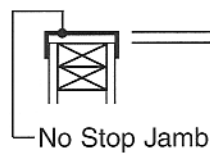
1 3/8" Door $W = \frac{(\text{Wall Size}) - 1 3/4"}{2}$

1 3/4" Door $W = \frac{(\text{Wall Size}) - 2 1/8"}{2}$

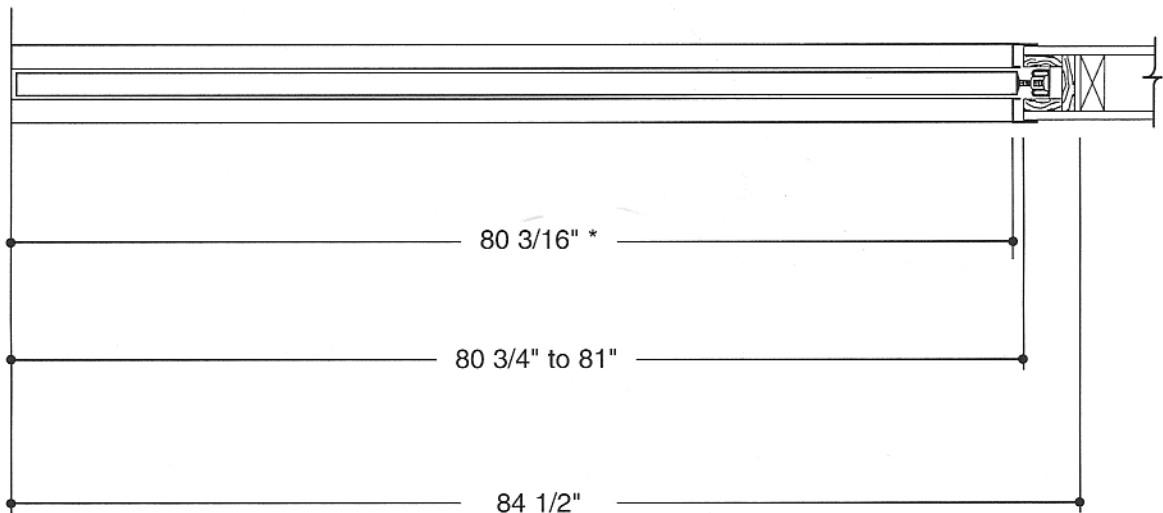


Nominal Door Width	Finished Opening
2' - 0"	23 1/2"
2' - 4"	27 1/2"
2' - 6"	29 1/2"
2' - 8"	31 1/2"
3' - 0"	35 1/2"

Nominal Door Width	R.O.
2' - 0"	24 3/4"
2' - 4"	28 3/4"
2' - 6"	30 3/4"
2' - 8"	32 3/4"
3' - 0"	36 3/4"



Finished Floor



* Jamb height for standard 6' - 8" door