

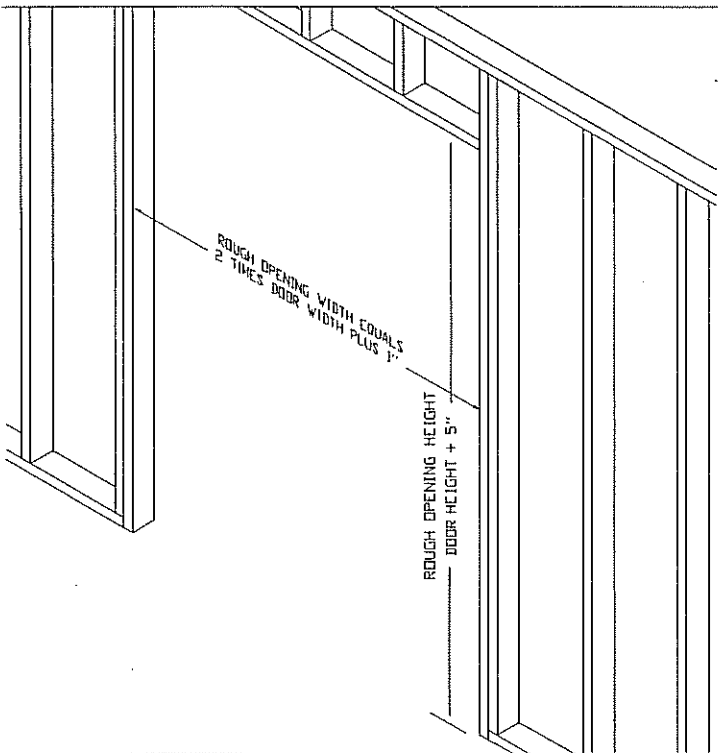
Pemko Pocket Frame Kit Installation Instructions

STEP #

1

Framing The Rough Opening

Frame the width of the rough opening 2 x Door width plus 1 inch. Frame the height of the rough opening, Door height plus 5 inches.

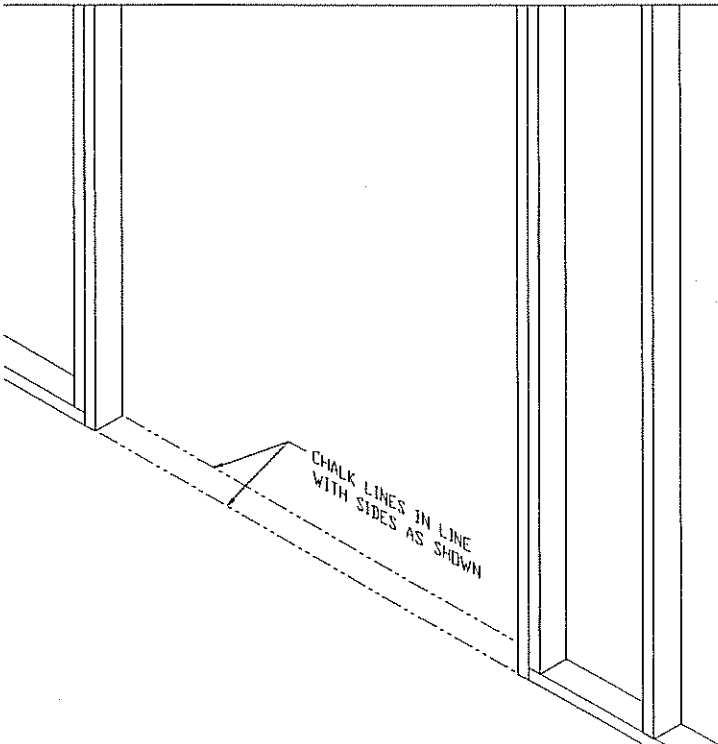


STEP #

2

Chalk Line The Floor Opening

Cut out all bottom plates and snap chalk lines on both sides of the floor opening.

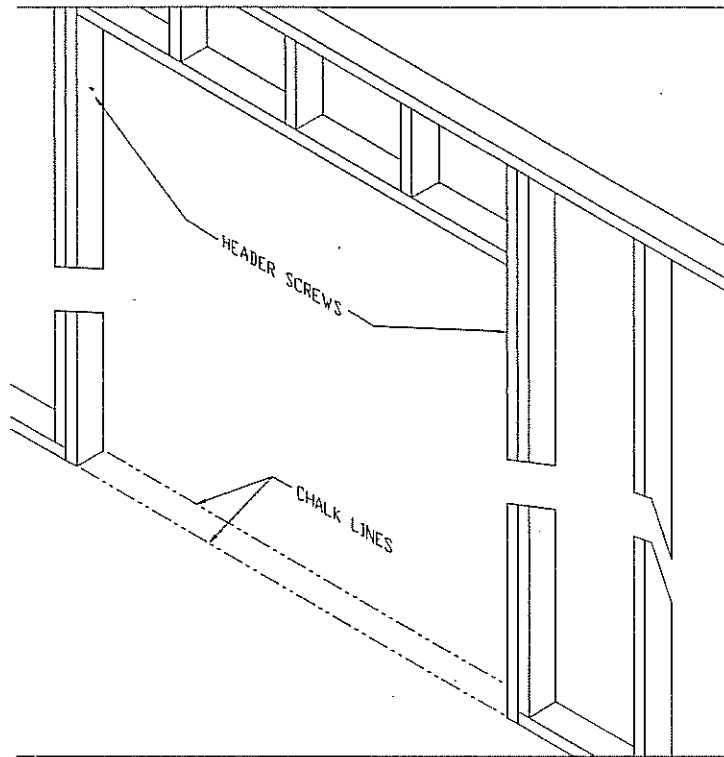


STEP #

3

Header Mounting Screws

Determine height of the finished floor, mark each side of rough opening above the finished floor at; 80-3/4" for 6'8" door, 84-3/4" for 7'0" door, 96-3/4" for 8'0" door. This will give 3/4" clearance under the door to accommodate a variety of finished flooring choices. At your desired height on both sides of the rough opening drive in a screw on center leaving 1/8" protruding.



STEP #

4

Sizing Header Track Assembly

Pemko Pocket Frame Kits are supplied with one of 2 standard width Header Track Assemblies. Standard sizes will fit a 3'0" Door width or 2'6" Door width. The Header Track Assemblies can be cut down in 2" increments to achieve all industry standard door widths. (See below for cutting instructions.)

Cutting Instructions for Header Track Assembly

Step #1: Remove the adjustable bracket from the Header Track Assembly. Cut from this end **ONLY**.

Step #2: On top of the track wood measure 2 times the difference between the kit size and the door size being cut down to. Cut through the wood **ONLY**. Refer to example in step #4 below.

Step #3: Turn the assembly over and cut trough the track **ONLY** by the same amount taken off the wood in step #2.

Step #4: Turn the assembly on to one side and cut back the header rail **ONLY** by the difference in the 2 door sizes. Turn on to other side and repeat. (Example if you have a kit for a 3'0" door and you are installing a 2'8" door in steps 2 & 3 you would be cutting off 8 inches, and in step 4 you would be cutting off 4 inches.)

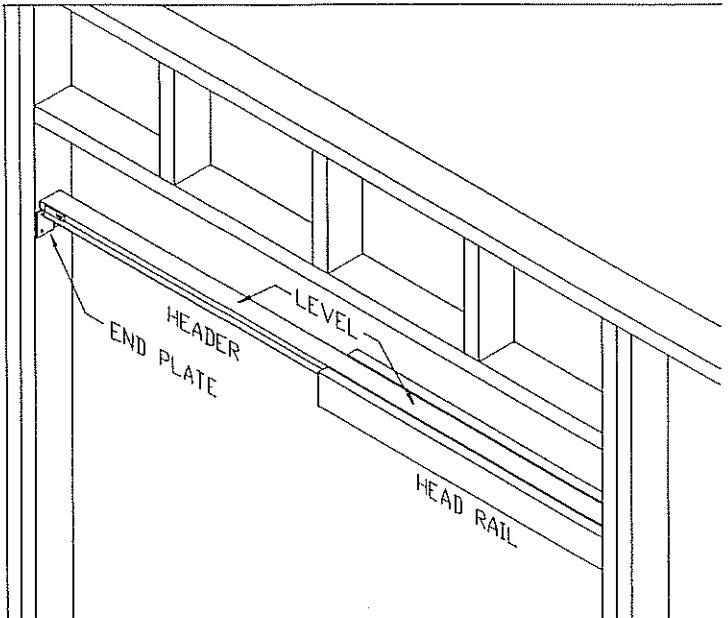
Step #5: Re-install adjustable bracket, now the Header Track Assembly is ready to continue.

STEP #

5

Hanging The Header Track Assembly

Slip the Header Track Assembly over the protruding screws. The slot in the end brackets will slip over the screws. Make sure the Header Track Assembly is perfectly level, then snug up the end bracket screws and install the remaining screws. (A level Header Track Assembly eliminates the possibility of coasting.)

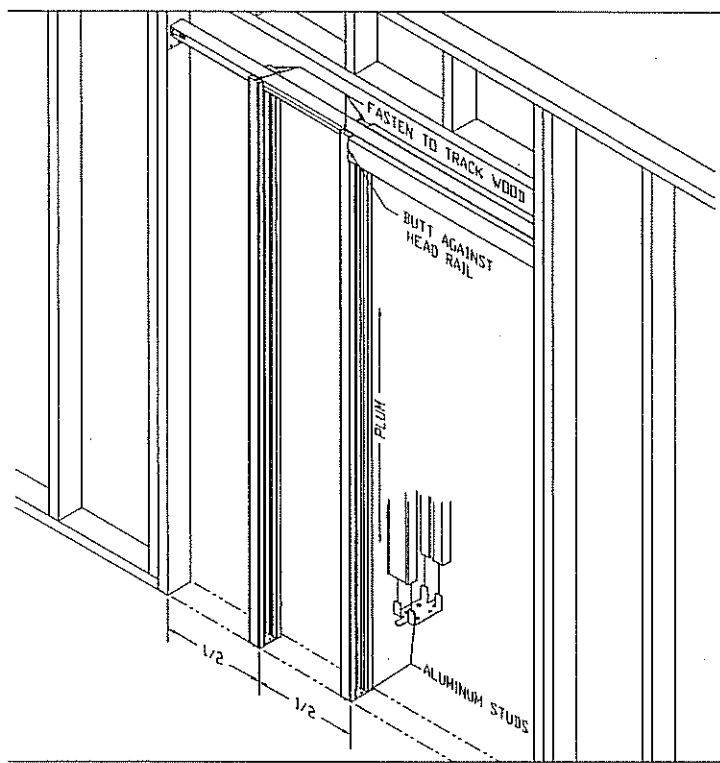


STEP #

7

Installing Pairs Of Aluminum Cased Wood Studs

Insert one floor cleat into the bottom end of the leading edge pair of studs. (Ensure the pair of leading edge studs have the nailing punch-outs towards the opening.) Stand and fasten the pair to the track wood up against the header rail, plumb and secure floor cleat between the chalk lines. Repeat above step with the center pair, installing in the middle of the remaining opening.

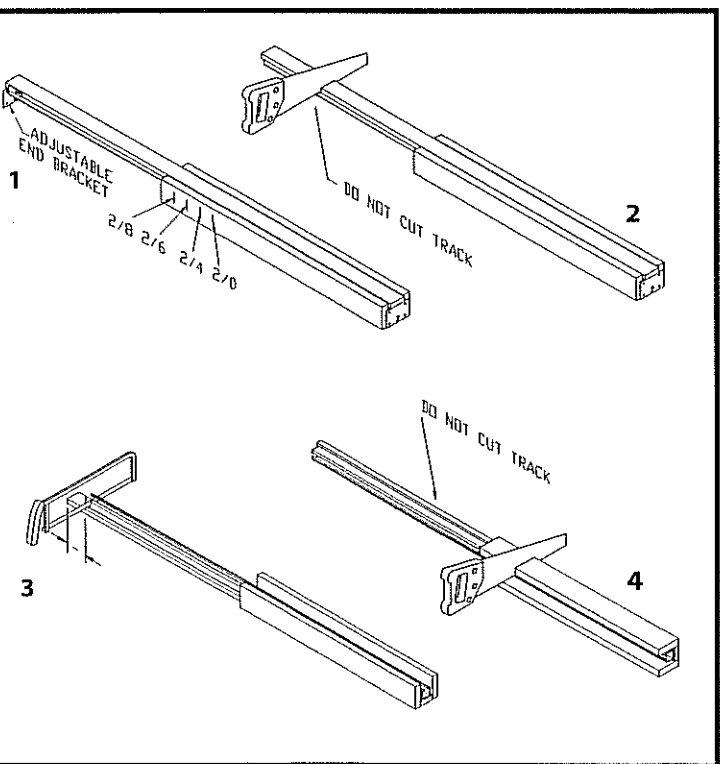


STEP #

6

Cavity Size Adapter Kit

If using a 1-3/4" thick Door, use the # PF134 adapter kit. Kit includes; 2 Floor Cleats, 2 Header Shims, and 1 Bottom Guide. Please refer to the Available Options box.



Pemko Pocket Frame Options

- **PF134 Kit:** To expand door cavity by an additional 1/4"
- **PFAS84 Kit:** Extra pair of aluminum studs c/w floor cleat when using doors wider than 3 feet. kit for 80" tall doors
- **PFAS100 Kit:** Extra pair of aluminum studs c/w floor cleat when using doors wider than 3 feet. kit for 84" and 96" tall doors
- **PFCD Kit:** Hardware kit for joining 2 header assemblies to obtain a double end converging pair system.
- **PF2x6 Kit:** Needs to be ordered when frame is to be installed in a 2' x 6' wall.

STEP #**8****Door Prep / Hanger Installation**

A Center the 2 receiving hanger brackets on the top of the door. Measure from each edge of the door to the end of the bracket 1-3/4", mark and pre-drill pilot holes for all screws using a 1/16" drill bit and fasten with 1-1/2" mounting screws. Position the brackets with the bolt slots facing the same side of the door. (Avoid mounting bracket screws into the end grain of the door stiles.) When using the converging door kit, the leading edge hanging bracket should be installed 3" in front of the door to allow room for track stops.

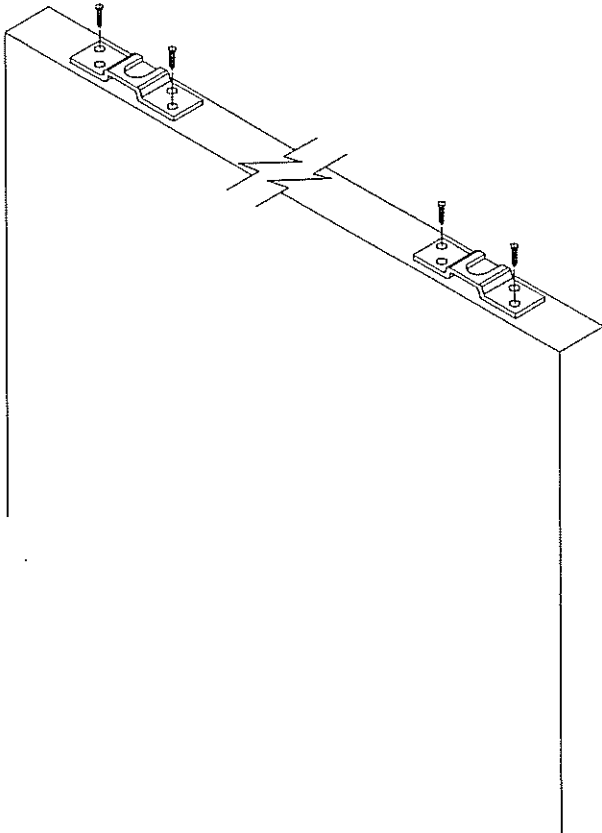
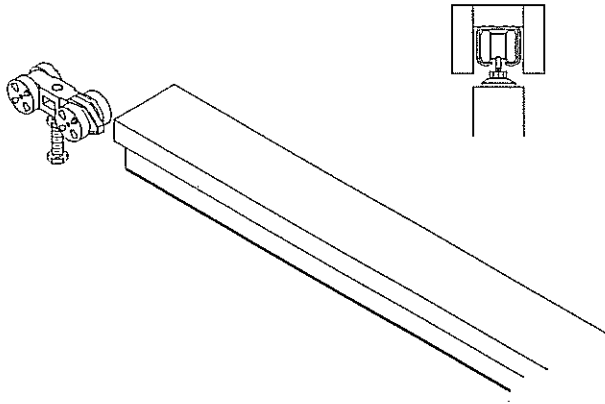
B Insert the 4 wheeled carriages into the aluminum track.

C Angle the back of the door into the frame opening, tipping the back of the door up on the front edge, then slip the rear hanger bracket over the hanging down carriage bolt.

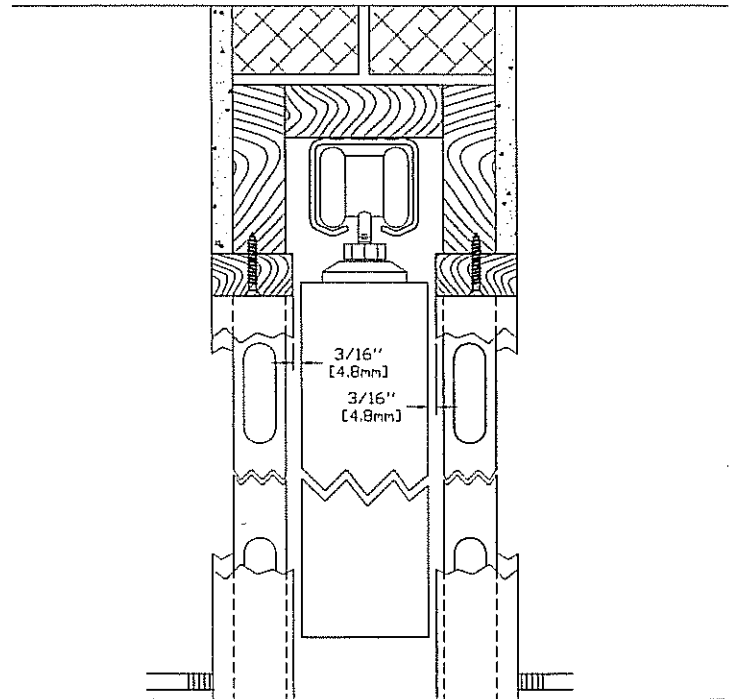
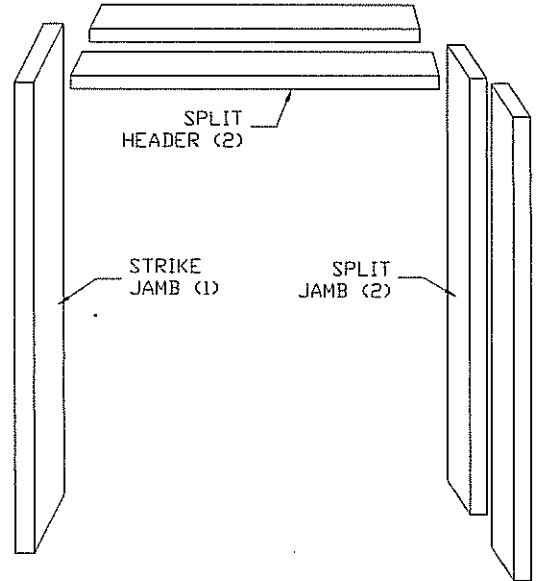
D Raise the front edge of the door and slip the hanger bracket over the front carriage bolt.

E Install the strike jamb, plumb and shimmed straight. (Not supplied - owner preference)

F Adjust the carriage wheel bolts to align the door parallel with the strike jamb.

**STEP #****9****Install Split Jamb (Not supplied - owner preference)**

Attach all split jambs with countersunk screws. Position the screws to center in the punch-outs on the leading edge of the aluminum studs. To position the split jambs and achieve the correct amount of overhang use a spacer the same thickness as the finish wall material. (drywall) Attach the split jamb head pieces last. Once again use countersunk screws on the head pieces, this will make for easy removal of one or both if the door ever requires replacing.

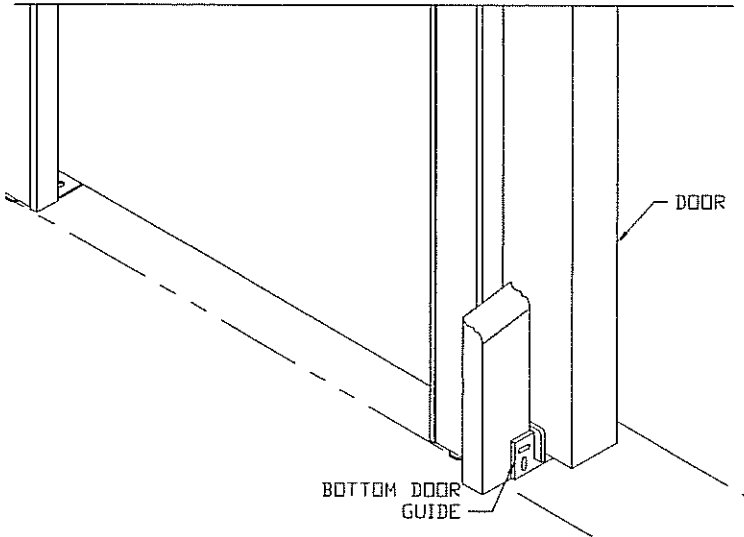


STEP #

10

Install Bottom Door Guide

Hold the door guide against the split jambs at the bottom leaving 1/4" space from the bottom of the door to the center cross bar of the guide. Drive a nail partially into the horizontal slots on each side of the guide. Adjust the guide side to side to position the door in the center of the cavity, now set the nails in hard, open and close the door several times to make sure there is no excessive friction or rubbing. Then drive 2 more nails into the vertical holes on each side of the guide.

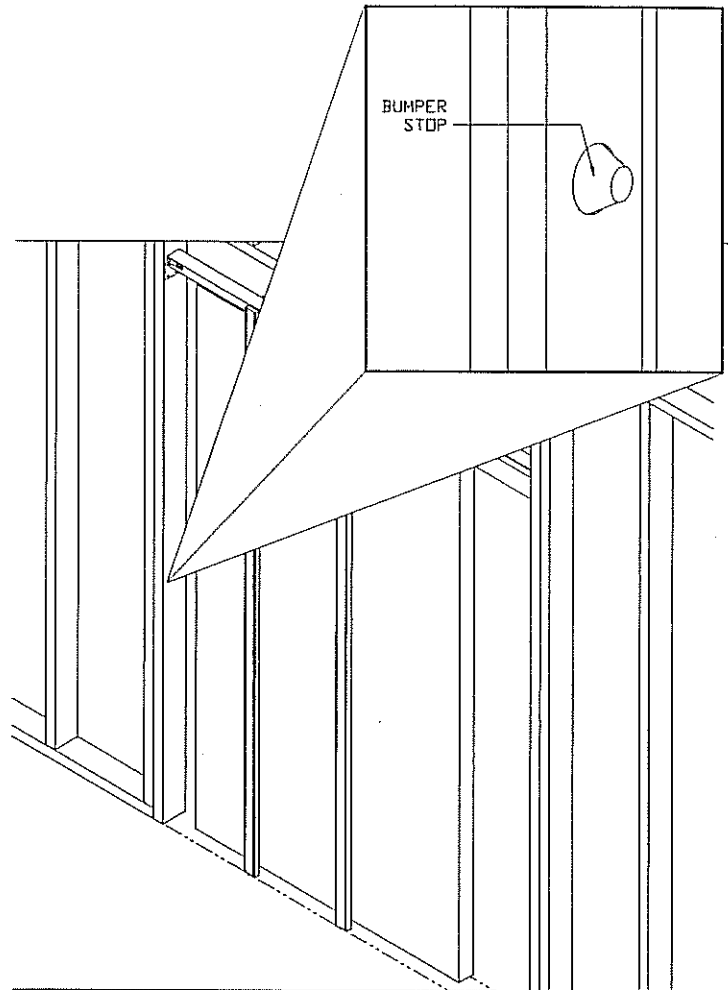


STEP #

12

Bumper Installation

Install the supplied rubber bumper on the rough opening stud at the back of the cavity. Use a properly sized spacer block to ensure the front edge of the door is flush with the doorstop at the face of the split jambs when the door is fully retracted into the wall cavity.

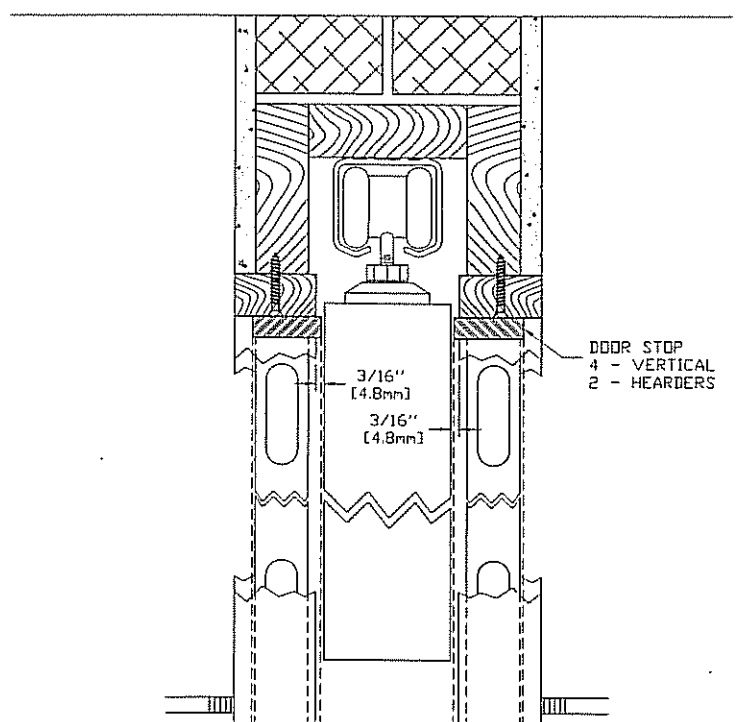


STEP #

11

Install Door Stop

Install door stop using a minimum amount of 1" brad nails, the gap between the door stop and the door should be approximately 3/16". Install the 4 vertical pieces first to the split jambs and the strike jamb. Install the 2 header pieces last, so they can be removed for easier adjustment or door replacement if necessary. Do not caulk the door stop to the split jambs. The door stop is installed overtop of the bottom guide nail flanges giving the finished product a clean look.



VENTURA, CA
P.O. Box 3780, Ventura, CA 93006
Ph: (805) 642-2600 or (800) 283-9988
Fax: (805) 642-4109 or (800) 283-4050

MEMPHIS, TN
P.O. Box 18966, Memphis, TN 38181
Ph: (901) 365-2160 or (800) 824-3018
Fax: (901) 365-1354 or (800) 243-3656

WHITTIER, CA
12251 E. Coast Drive, Whittier, CA 90601
Ph: (805) 642-2600 or (800) 283-9988
Fax: (805) 642-4109 or (800) 283-4050

PEMKO CANADA
103-2480 Mt. Lehman Rd. Abbotsford, B.C. V2T 6W3
P.H. (604) 855-6886 or (877) 535-7888
Fax: (604) 855-6876 or (877) 535-7444

www.pemko.com
E-mail: pemsales@pemko.com
E-mail Canada: info@pemkocanada.com
©2005 Pemko Mfg. Co. PFRINST 07/05