

▷ HSS1000 and HSS2000 HOT SMOKE SEAL™

▷ Edge Sealing Products For Positive Pressure Door Systems

- The new positive pressure building codes require stopping the passage of smoke, flames and hot gasses.
- Pemko's intumescent and fire/smoke gasketing products have assisted numerous door and frame manufacturers in complying with the new stringent positive pressure standards UL10C and UBC7-2, Parts I and II, UBC7-2, Part I (for fire) and UBC7-2, Part II (for smoke).

- Product categories include: **Hot Smoke Seal™ – Adhesive Backed and Kerf-In Intumescent**, **SiliconSeal™ – Adhesive Backed Fire/Smoke Gasketing**, **PemkoPrene™ – Adhesive Backed Fire/Smoke Gasketing** and **Nylon Brush Weatherstrip** (shown in this section).
- Many fire rated door assemblies (currently listed for UL10B) can now be listed for positive pressure (UL10C) by using **Hot Smoke Seal™** in combination with **SiliconSeal™**. Consult individual door and / or frame manufacturers for specific listing information.

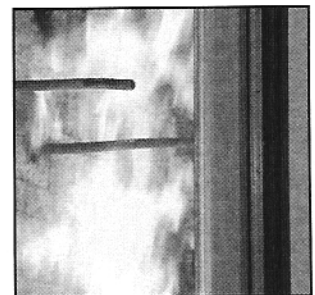
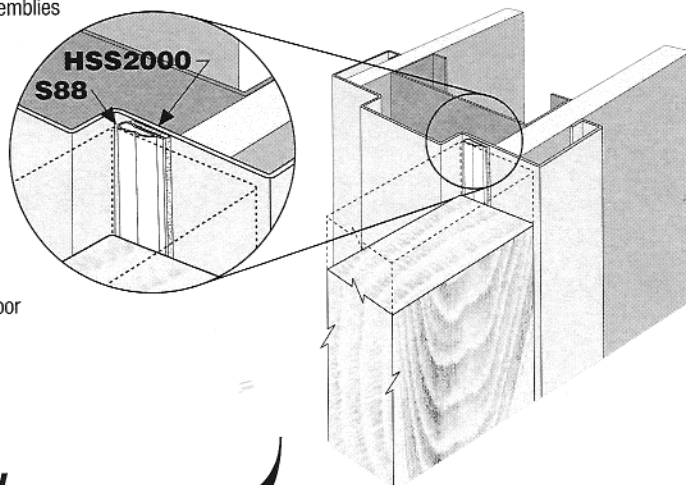
▷ Hot Smoke Seal™ – Kerf-In Adhesive Backed Intumescent

- Hot Smoke Seal™ is a chemically inert, highly stable, expandable graphite strip.
- Hot Smoke Seal™ is tested and proven in positive pressure conditions to withstand both hot smoke and hot gasses, resulting in the longer integrity of a door assembly.
- Hot Smoke Seal™ is more economical to use than specially modified doors in "tested assembly only" classifications.
- Hot Smoke Seal™ can be painted to blend in with the finish of a frame.

- Hot Smoke Seal™ is chemically inert, and therefore will not degrade from carbon dioxide and ozone like the many intumescents being offered by other manufacturers.
- Hot Smoke Seal™ is not affected by moisture and will not break down like fiber or cellulose based products.
- Hot Smoke Seal™ does not require periodic after market field inspections.

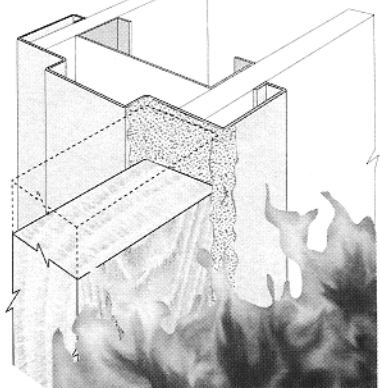
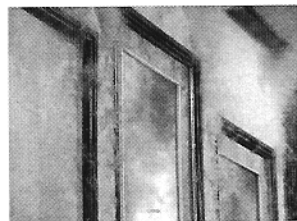
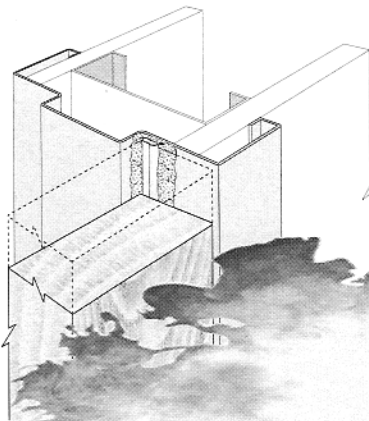
▷ How Does Hot Smoke Seal™ Work?

- Positive pressure testing shows that many assemblies require two kinds of door seals:
 - ▢ A seal that helps prevent the flow of smoke and flames at ambient temperatures.
 - ▢ A seal that does the same at elevated temperatures.
- Pemko has a superior line of door seals to help prevent smoke and flame passage at temperatures up to 650° F.
- Pemko's HSS1000 & HSS2000 expandable graphite strip starts filling the gap around a door once temperatures reach 250° F.



▲ 18041 installed as perimeter door gasketing.

As life threatening smoke and gases heat up, Hot Smoke Seal™ begins to expand and fill the gap.



Hot Smoke Seal™, when fully expanded, helps to prevent fire and smoke penetration.

