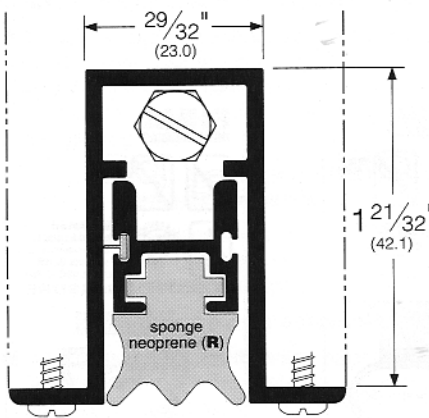


Automatic Door Bottoms – Non-Handed Full-Mortise Models



BHMA CERTIFIED

434ARL

UL 10C & UBC7-2, Part 1
UL 10B

BHMA CERTIFIED

434ANL

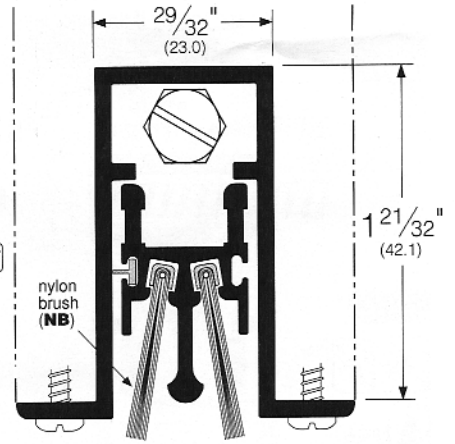
UL 10C & UBC7-2, Part 1
UL 10B

neoprene (N)

BHMA CERTIFIED

434ANBL

UL 10C & UBC7-2, Part 1
UL 10B



PemkoPrene™ (PK)

434APKL

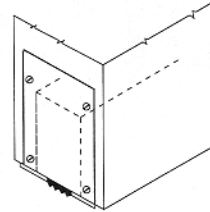
BHMA CERTIFIED

POSITIVE PRESSURE

Fire Rated
Classified & Listed to meet the requirements of standards UL10B, UL10C & UBC7-2, Part 1

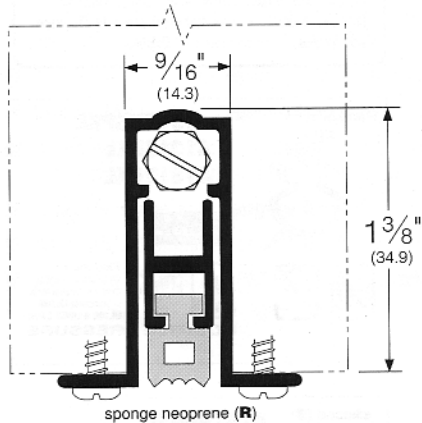
End Plates for (434 and 411 Models)

Aluminum end plates are provided with all 434 & 411 models to protect the mechanism and to give a clean aesthetic appearance.



434 End Plate

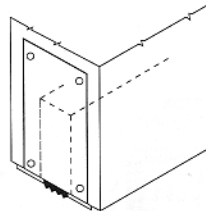
▲ Screws included



BHMA CERTIFIED

411ARL

UL 10C & UBC7-2, Part 1
UL 10B



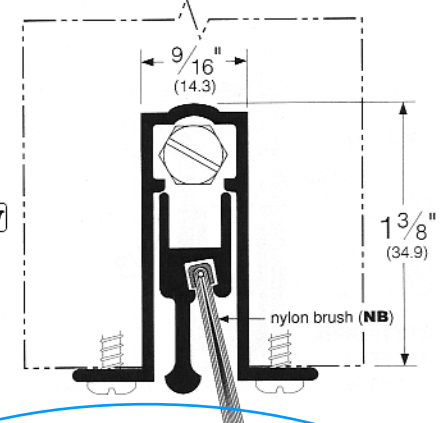
411 End Plate

▲ Nails included

BHMA CERTIFIED

411ANBL

UL 10C & UBC7-2, Part 1
UL 10B



PemkoPrene™ (PK)

411APKL

BHMA CERTIFIED

POSITIVE PRESSURE

Fire Rated
Classified & Listed to meet the requirements of standards UL10B, UL10C & UBC7-2, Part 1

vinyl (V)

411AVL

BHMA CERTIFIED

UL 10C & UBC7-2, Part 1
UL 10B

silicone (S)

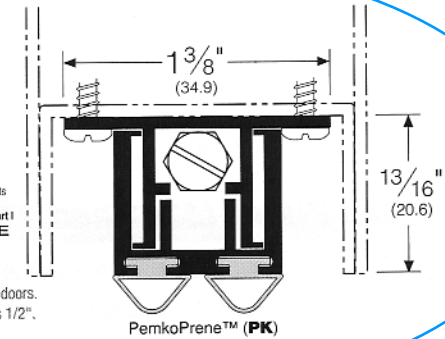
411ASL

BHMA CERTIFIED

UL 10C & UBC7-2, Part 1
UL 10B

Fire Rated
Classified & Listed to meet the requirements of standards UL10B, UL10C & UBC7-2, Part 1

POSITIVE PRESSURE



420APKL

▲ For hollow metal doors.
▲ Maximum drop is 1/2".

vinyl (V)

420AVL

BHMA CERTIFIED

UL 10C & UBC7-2, Part 1
UL 10B

silicone (S)

420ASL

BHMA CERTIFIED

POSITIVE PRESSURE

Fire Rated
Classified & Listed to meet the requirements of standards UL10B, UL10C & UBC7-2, Part 1

Finish Designations: (pages DB4 & DB5)

- | | |
|--|-------------------------------------|
| A mill finish aluminum | B mill finish bronze (brass) |
| BDG bright-dip gold anodized aluminum | C clear anodized aluminum |
| D dark bronze anodized aluminum | G gold anodized aluminum |
| S clad stainless steel | |

Please refer to the listings under each product for stocked finishes, and consult the factory for the price and availability of non-stocked finishes.