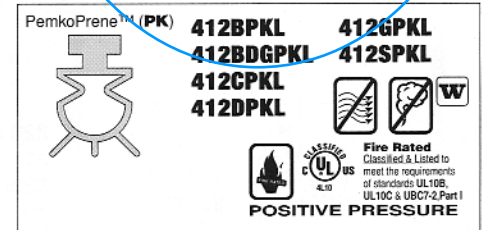
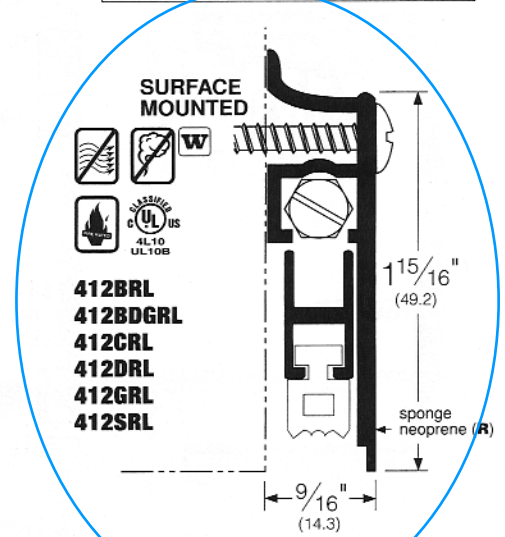
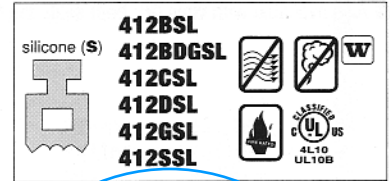
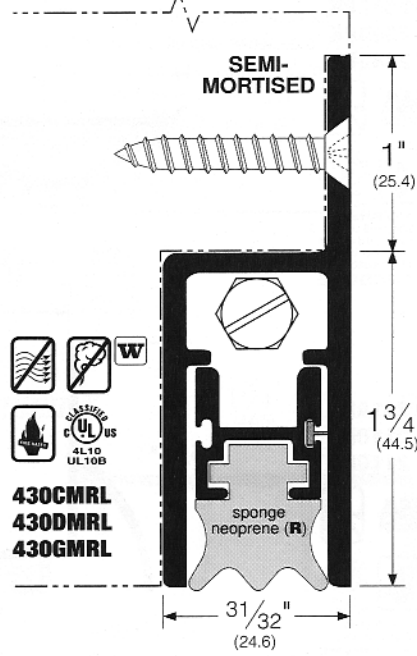
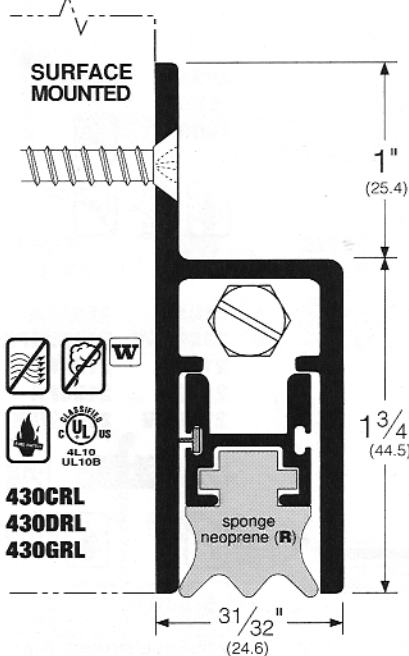


## ► Automatic Door Bottoms – Handed Surface and Semi-Mortise Models

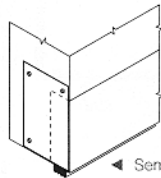
- These models have all the same features as the **4301** and the **4131** except that these are handed, and disassembly of the mechanism is required to reverse the hand.
- **430** is being discontinued. Stock available for a limited time. Use **4301** instead.

- For easy non-handed installation, Pemko recommends using the **4301** rather than the **430**, and the **4131** rather than the **412**. The **4301** and **4131** are shown on page DB3.

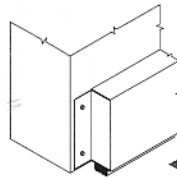


## ► End Plates for (430 and 412 Models)

- Aluminum end plates are provided with all **430** & **412** models to protect the mechanism and to give a clean aesthetic appearance.

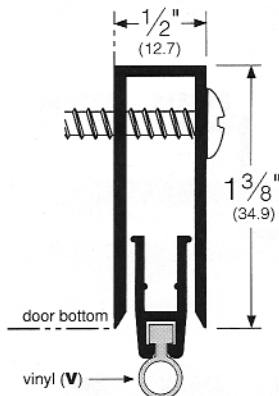


◀ Semi-Mortise mount

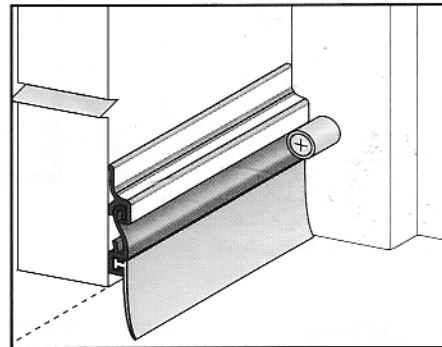


◀ Surface Mount

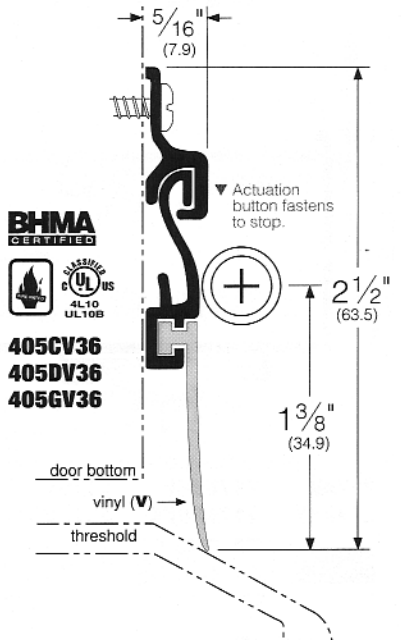
## ► Residential Automatic Door Bottoms



- Surface type for wood doors.
- 1/2" maximum drop.
- Can be trimmed down by as much as 2".
- Non-handed.
- End plates are not provided.



- Spring loaded door bottom sweep.
- Available in 36" stock length only.
- May be cut down to 24" minimum length.



VENTURA, CA  
WHITTIER, CA

800 • 283-9988

PEMKO

MEMPHIS, TN

800 • 824-3018

DB  
5