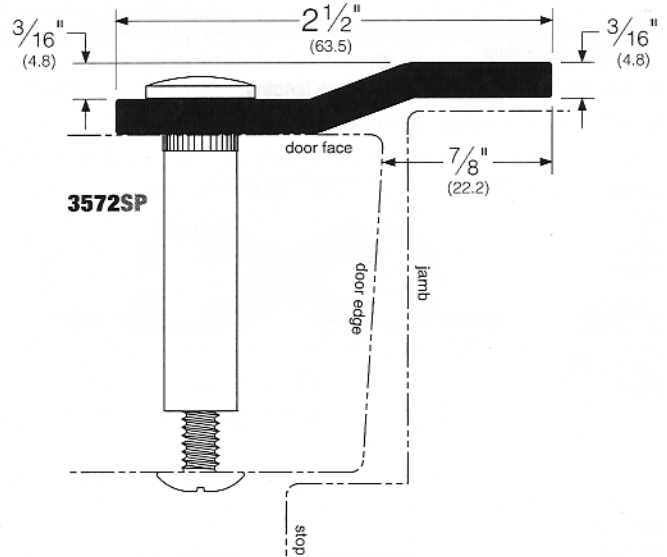


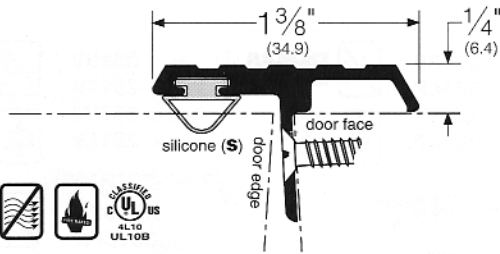
▶ Offset Security Bar

- For use on single out-swinging wood or metal doors.
- Covers gap between the door and jamb for the full door height, preventing prying and manipulation.
- Excellent for classroom doors opening onto exterior walkways (*specified and approved by major school districts*).
- Supplied undrilled unless a drill pattern is specified. Thru-bolts are included with or without drilling.
- Available in 80", 84" and 96" stock lengths.



▶ "T" and Overlapping Astragals

355BS
355BDGS
355CS
355DS
355GS
355PWS

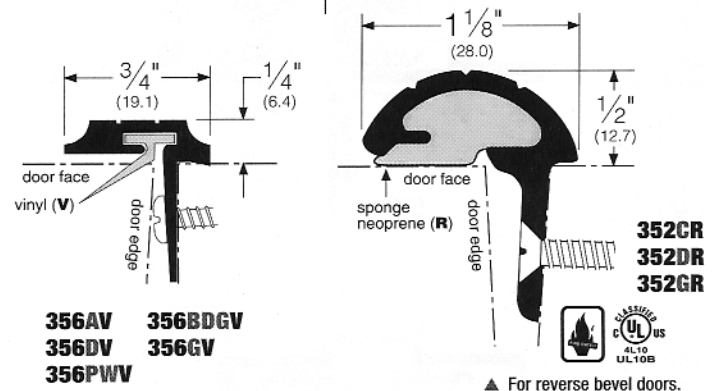


BHMA CERTIFIED

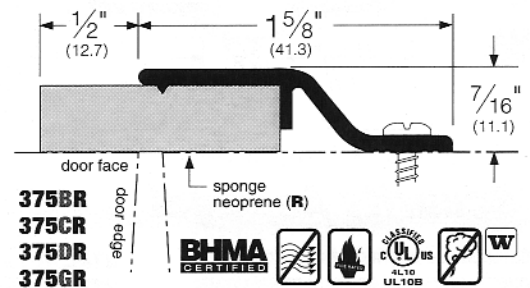
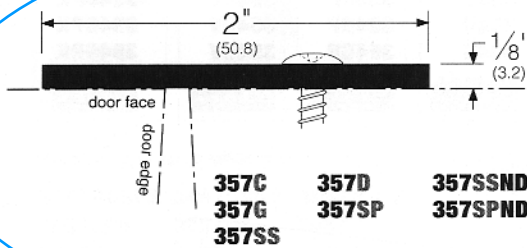


vinyl (V)	355BV	
	355BDGV	
	355CV	
	355DV	
	355GV	
	355PWW	

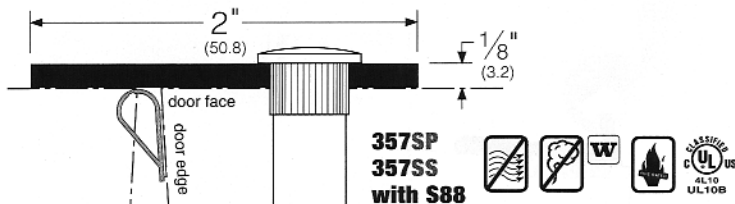
pile (P)	355BP	
	355BDGP	
	355CP	
	355DP	
	355GP	
	355PWP	



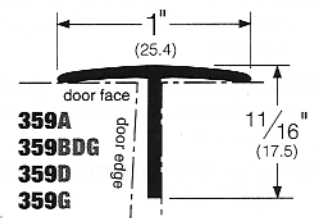
▲ For reverse bevel doors.



- ▶ 1/4"-20 machine screws and thru-bolts must be ordered separately at additional cost.
- ▶ If specifications state that an astragal is required to satisfy fire and / or smoke rated opening, then a thru-bolted **357SP** or **SS** in conjunction with **S88** seal is the only configuration that can be used.
- ▶ **S88** is optional for fire listing and labeling.
- ▶ **S88** must be ordered separately at an additional cost.
- ▶ Standard fastener will be 10 X 1" Truss Head SMS.
- ▶ "ND" denotes "no drill".
- ▶ Countersink drilling with countersunk flathead screws also available at no extra charge, upon request.



- ▶ For light residential installations.
- ▶ Includes #16x7/8" flathead zinc nails.



VENTURA, CA
WHITTIER, CA

800 • 283-9988

PEMKO

MEMPHIS, TN

800 • 824-3018

AS
5