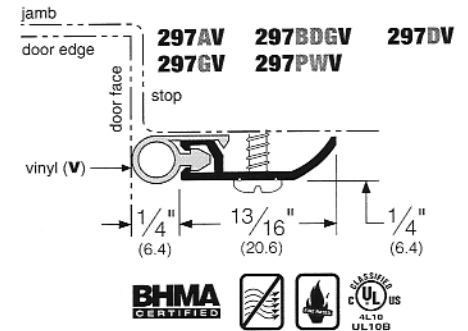
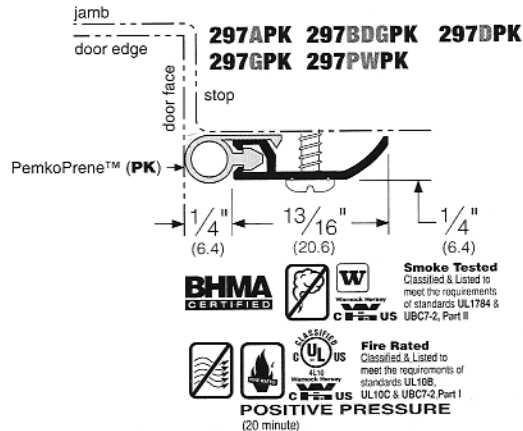
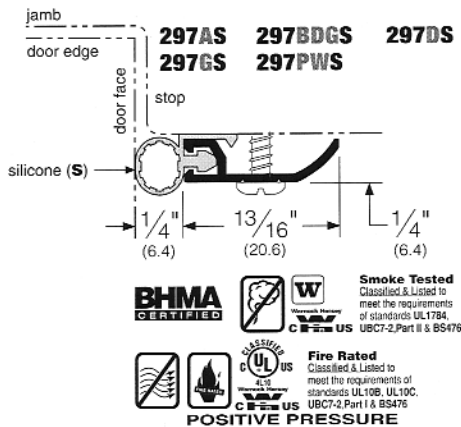
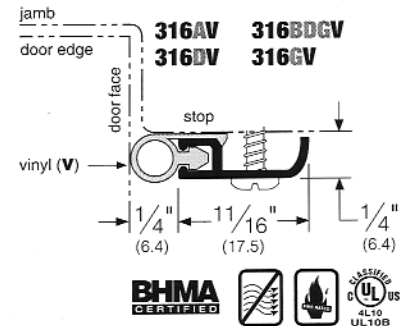
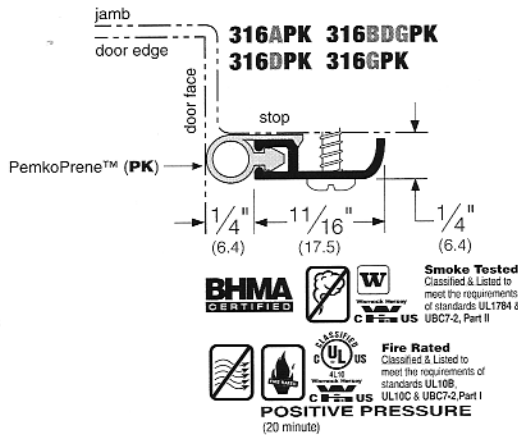
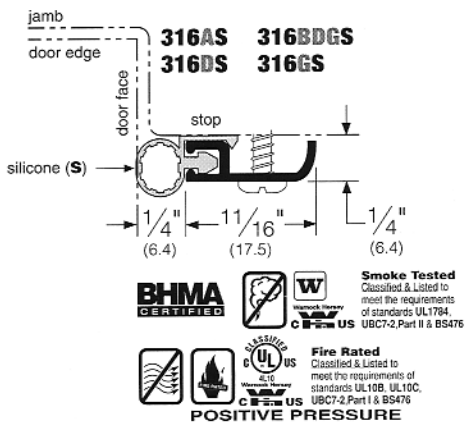
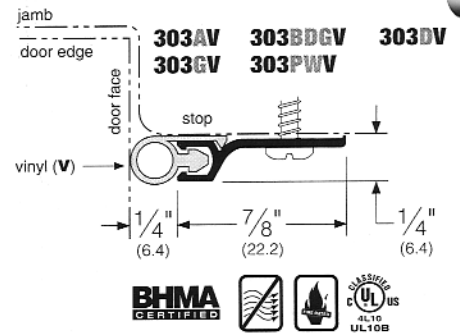
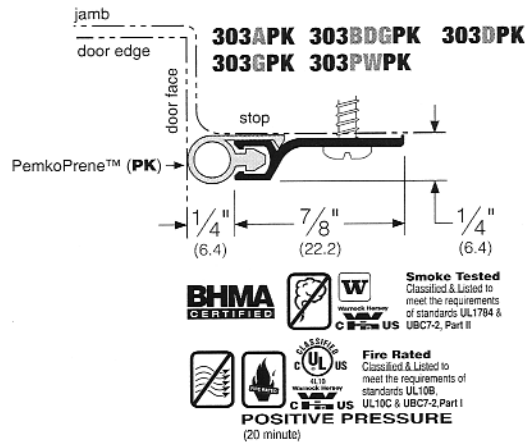
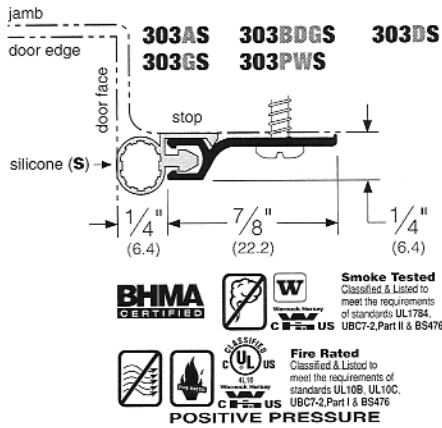


▷ Perimeter Gasketing

■ Rigid jamb weatherstrip shown mounted on openings with 1/16" gaps; however, each weatherstrip can seal gaps up to the depth of its seal. Seal depth provided on each illustration (example: the 303 has a 1/4" seal and, therefore, can seal up to a 1/4" gap).

- Punched on 6" centers with slotted holes for adjustment.
- Stainless steel fasteners are standard on all except 292 and 299.
- Other fasteners are available.



■ For easy installation, 303 and 294 are available with self-adhesive two-sided tape (TST) and tek screws (3-slotted holes per part). Examples: 303AVTST, 294DVTST.

