

# Door Shoes

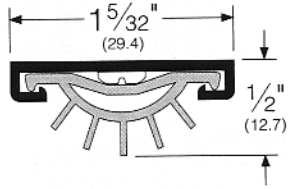
■ Now available with PemkoPrene™ (PK) thermo-plastic elastomer, an excellent cold weather seal which stays flexible between -70°F & +250°F.

■ Also available with vinyl (W); both seals are the same shape and size.

■ Slotted holes for easy adjustment.

■ Rain drip model is ideal for deflecting rain away from the bottom of door.

■ Door shoes are provided with stainless steel fasteners.

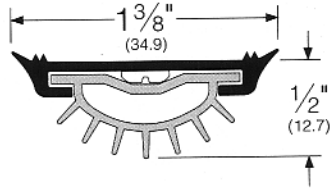


**234AV 234APK**  
**234DV 234DPK**  
**234GV 234GPK**



**Fire Rated**  
 Classified & Listed to meet the requirements of standards UL10B, UL10C & UBC7-2, Part I

**POSITIVE PRESSURE**  
 (20 minute)  
 ▲ With PK seal only

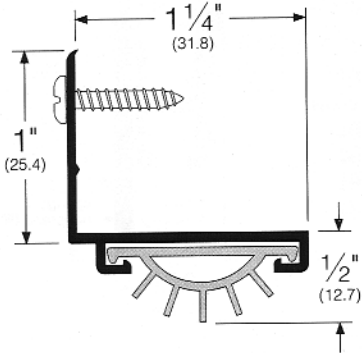


**209AV 209DV 209GV**



**Fire Rated**  
 Classified & Listed to meet the requirements of standards UL10B, UL10C & UBC7-2, Part I

**POSITIVE PRESSURE**  
 (20 minute)  
 ▲ With PK seal only

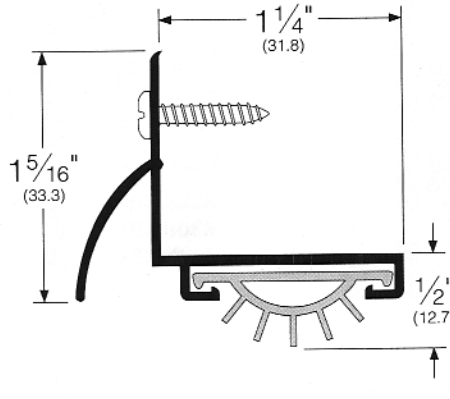


**211AV 211APK**  
**211DV 211DPK**  
**211GV 211GPK**



**Fire Rated**  
 Classified & Listed to meet the requirements of standards UL10B, UL10C & UBC7-2, Part I

**POSITIVE PRESSURE**  
 (20 minute)  
 ▲ With PK seal only

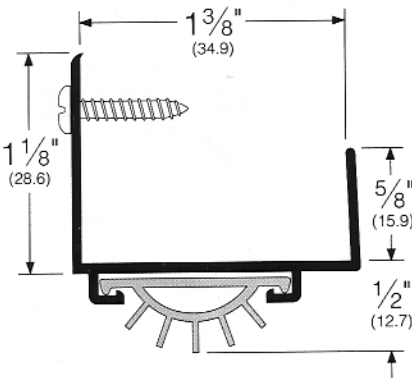


**210AV 210APK**  
**210BDGV 210BDGPK**  
**210DV 210DPK**  
**210GV 210GPK**  
**210PWV 210PWPK**



**Fire Rated**  
 Classified & Listed to meet the requirements of standards UL10B, UL10C & UBC7-2, Part I

**POSITIVE PRESSURE**  
 (20 minute)  
 ▲ With PK seal only

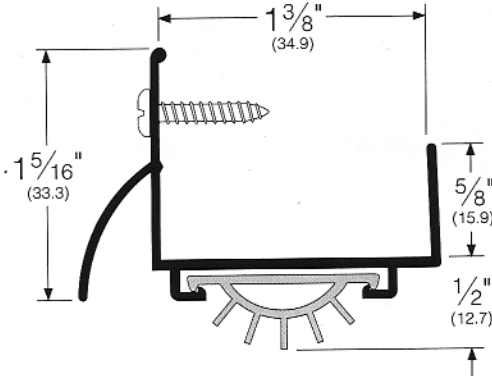


**220AV 220APK**  
**220DV 220DPK**  
**220GV 220GPK**



**Fire Rated**  
 Classified & Listed to meet the requirements of standards UL10B, UL10C & UBC7-2, Part I

**POSITIVE PRESSURE**  
 (20 minute)  
 ▲ With PK seal only

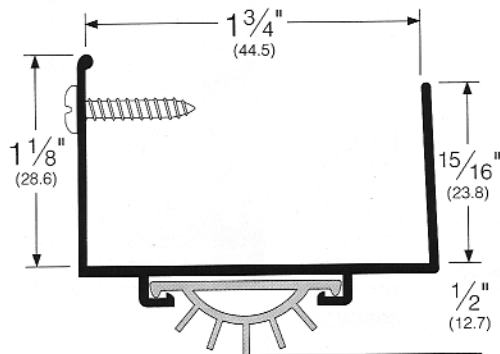


**215AV 215APK**  
**215BDGV 215BDGPK**  
**215DV 215DPK**  
**215GV 215GPK**  
**215PWV 215PWPK**



**Fire Rated**  
 Classified & Listed to meet the requirements of standards UL10B, UL10C & UBC7-2, Part I

**POSITIVE PRESSURE**  
 (20 minute)  
 ▲ With PK seal only

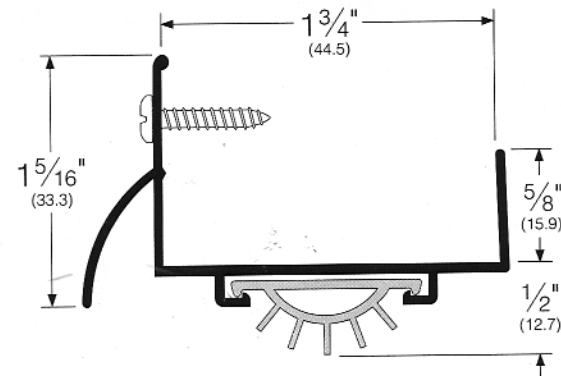


**217AV 217APK**  
**217BDGV 217BDGPK**  
**217DV 217DPK**  
**217GV 217GPK**  
**217PWV 217PWPK**



**Fire Rated**  
 Classified & Listed to meet the requirements of standards UL10B, UL10C & UBC7-2, Part I

**POSITIVE PRESSURE**  
 (20 minute)  
 ▲ With PK seal only



**216AV 216APK**  
**216BV 216BPK**  
**216BDGV 216BDGPK**  
**216DV 216DPK**  
**216GV 216GPK**  
**216PWV 216PWPK**



**Fire Rated**  
 Classified & Listed to meet the requirements of standards UL10B, UL10C & UBC7-2, Part I

**POSITIVE PRESSURE**  
 (20 minute)  
 ▲ With PK seal only