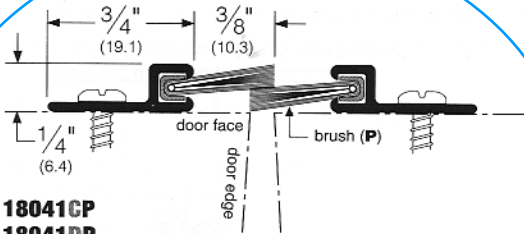


## ▶ Astragal and Meeting Stile Gasketing – Continued



**18041CP**  
**18041DP**  
**18041GP**

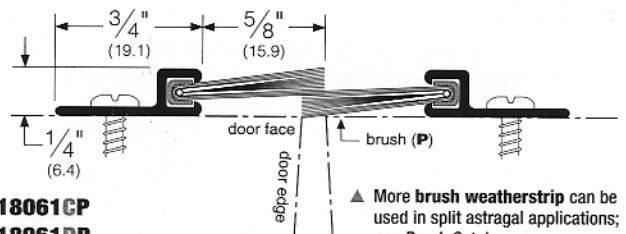


**Smoke Tested**  
Classified & Listed to meet the requirements of standards UL1784, UBC7-2, Part II & BS476



**Fire Rated**  
Classified & Listed to meet the requirements of standards UL10B, UL10C, UBC7-2, Part I & BS476

**POSITIVE PRESSURE**



**18061CP**  
**18061DP**  
**18061GP**



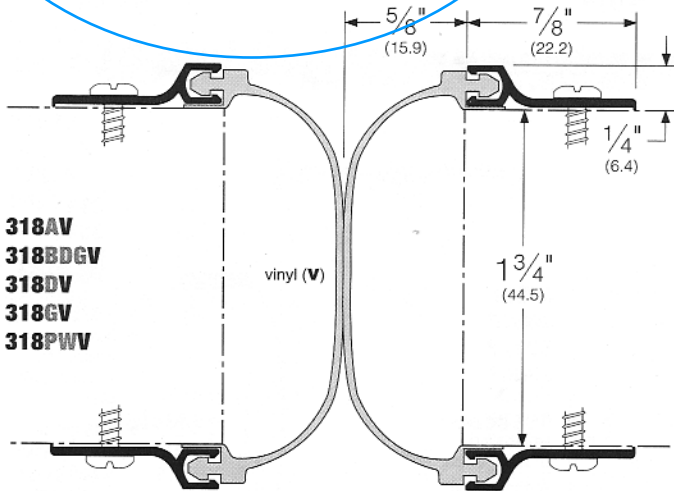
**Smoke Tested**  
Classified & Listed to meet the requirements of standards UL1784, UBC7-2, Part II & BS476



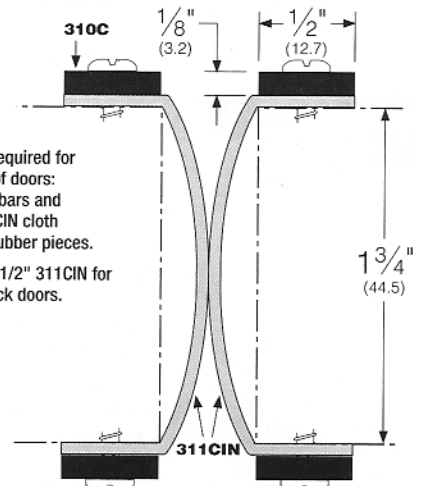
**Fire Rated**  
Classified & Listed to meet the requirements of standards UL10B, UL10C, UBC7-2, Part I & BS476

**POSITIVE PRESSURE**

▲ More brush weatherstrip can be used in split astragal applications; see *Brush Catalog*.



**318AV**  
**318BDGV**  
**318DV**  
**318GV**  
**318PWV**



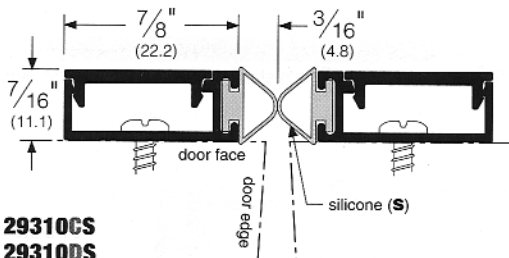
▶ Material required for one-pair of doors:  
4 ea. 310 bars and  
2 ea. 311CIN cloth inserted rubber pieces.

▶ Specify 4-1/2" 311CIN for 2-1/4" thick doors.

**310C**  
**310D**  
**310G**  
**311CIN**

## ▶ Split Astragals with Snap Covers

■ Snap covering helps prevent vandalism and adds an attractive finished look by concealing the fasteners.



**29310CS**  
**29310DS**  
**29310GS**



**Fire Rated**  
Classified & Listed to meet the requirements of standards UL10B and UL10C

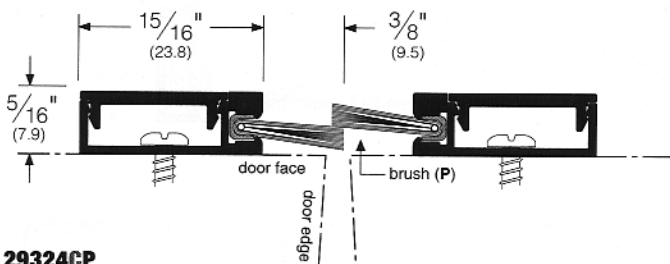
**POSITIVE PRESSURE**

<b>29310CV</b> vinyl (V)	<b>29310DV</b>	<b>29310GV</b>

	<b>29310CPK</b> <b>29310DPK</b> <b>29310GPK</b>

<b>29310CP</b> pile (P)	<b>29310DP</b>	<b>29310GP</b>

	<b>Fire Rated</b> Classified & Listed to meet the requirements of standards UL10B and UL10C
	<b>POSITIVE PRESSURE</b> (20 minute)



**29324CP**  
**29324DP**

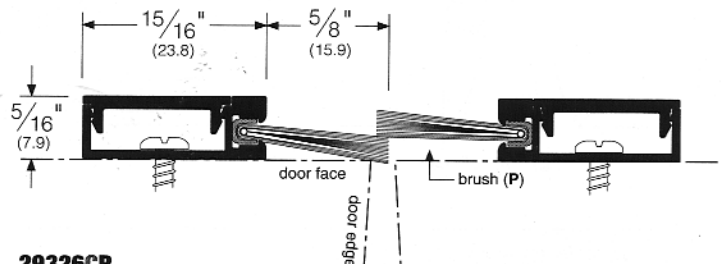


**Smoke Tested**  
Classified & Listed to meet the requirements of standards UL1784, UBC7-2, Part II & BS476



**Fire Rated**  
Classified & Listed to meet the requirements of standards UL10B, UL10C, UBC7-2, Part I & BS476

**POSITIVE PRESSURE**



**29326CP**  
**29326DP**



**Smoke Tested**  
Classified & Listed to meet the requirements of standards UL1784, UBC7-2, Part II & BS476



**Fire Rated**  
Classified & Listed to meet the requirements of standards UL10B, UL10C, UBC7-2, Part I & BS476

**POSITIVE PRESSURE**

VENTURA, CA  
WHITTIER, CA

800 • 283-9988



MEMPHIS, TN

800 • 824-3018

AS  
3