



5000 SERIES LOW PROFILE HEAVY DUTY ELECTRIC STRIKES

THE MOST ADVANCED LOW PROFILE
ELECTRIC STRIKES MANUFACTURED TODAY

PERFORMANCE:

- STRENGTH
- DURABILITY
- HEAVY DUTY CONSTRUCTION

INSTALLER FRIENDLY:

The 5000 series are the first "Low Profile" electric strikes designed to be truly "installer friendly." This electric strike system consists of a 5000U base unit electric strike and six interchangeable face plates. These units are specially designed with an internally mounted solenoid for compactness and ease of installation in applications where there is limited space behind the door jamb. This includes narrow style door jambs, jambs with protruding glass inside, jambs filled with hardened concrete and wood jambs. The 5000U with the 501 Option can be installed in an ANSI metal jamb without removing the dust box.

HEAVY DUTY CONSTRUCTION:

The 5000U electric strike is designed with a heavy duty stainless steel inner structure to provide strength and durability. During a recent forcing test, conducted by an independent U.L. rated testing facility, the 5000U installed with a 501 option in an ANSI metal jamb withstood 2,385 lbs. before the electric strike literally ripped through the metal jamb. The electric strike itself did not break open during the test. The 5000 series low profile electric strikes are among the strongest electric strikes manufactured today.

STANDARD FEATURES:

- Tamper Resistant - Heavy duty construction.
- Forcing strength - 2,385 lbs.
- Durability minimum - 500,000 cycles
- Compact design - 1-1/16" backset.
- Non-Handed.
- Internally Mounted Solenoid.
- Continuous Duty Operation.
- Plug-in Connectors.
- 12VDC Current Draw = .25 AMPS.
- 24VDC Current Draw = .15 AMPS.

Patent applied for.

ALL SIX 5000 SERIES OPTIONS ARE DESIGNED
TO WORK WITH THE MODEL 5000U BASE UNIT
ELECTRIC STRIKE.



OPTIONAL FEATURES:

- Six Interchangeable Face Plate Styles.
- Stackable Extended Lips - 1/2", 1", 1-1/4", and 3". The stackable lip extensions are designed to be press-fit to the strike case and/or combined with other lip extensions to meet the needs of any jamb width.
- Model 2001 - Plug-in Bridge Rectifier for AC Operation.
- Model 2005 - SMART Pac™ in-line AC/DC Power Controller with Timer.
- Model 2006P - Plug-in Buzzer.
- Model 2009P - Plug-in L.E.D.

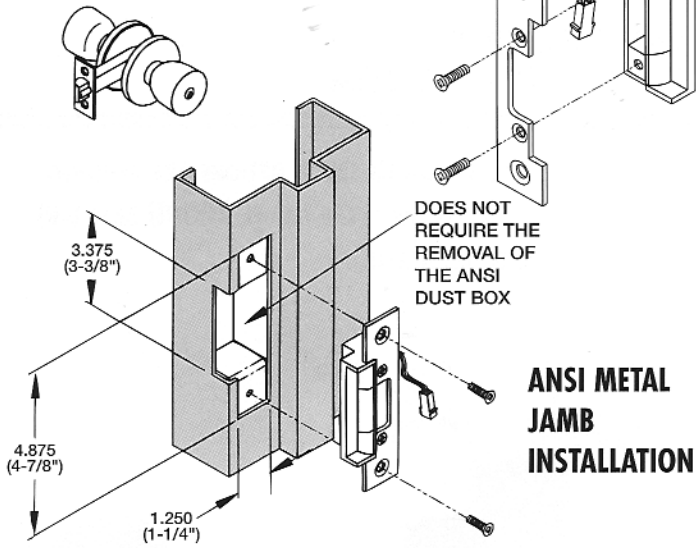
FINISH:

- Standard Finish 630 - Satin Stainless Steel.
- Available in All Popular Finishes.

ONE YEAR LIMITED WARRANTY

501-OPTION

Face Plate 4-7/8" x 1-1/4"

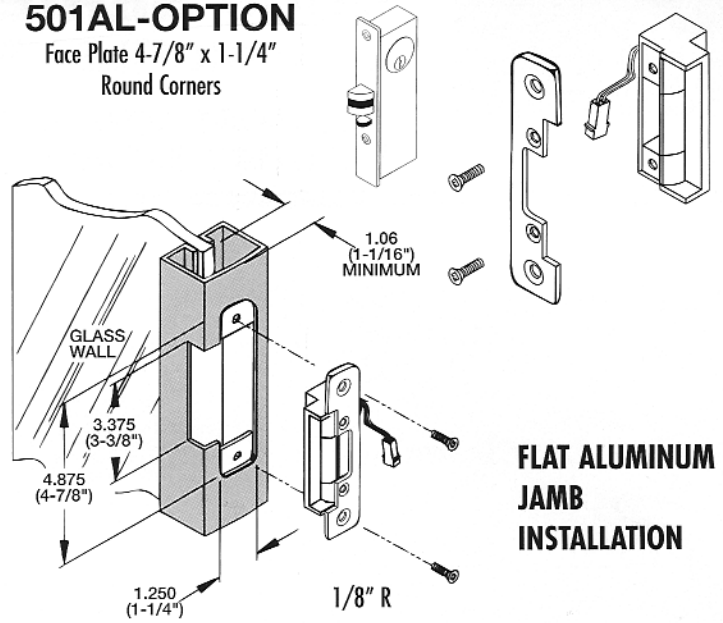


ANSI METAL JAMB INSTALLATION

501AL-OPTION

Face Plate 4-7/8" x 1-1/4"

Round Corners

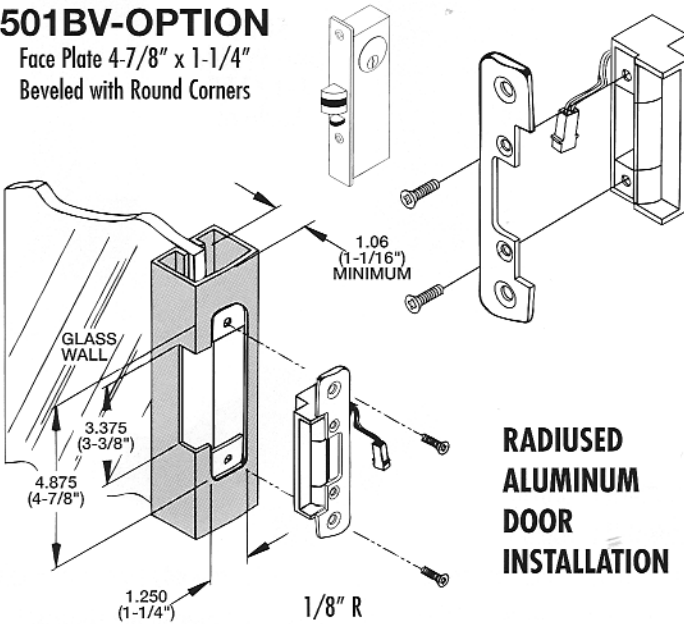


FLAT ALUMINUM JAMB INSTALLATION

501BV-OPTION

Face Plate 4-7/8" x 1-1/4"

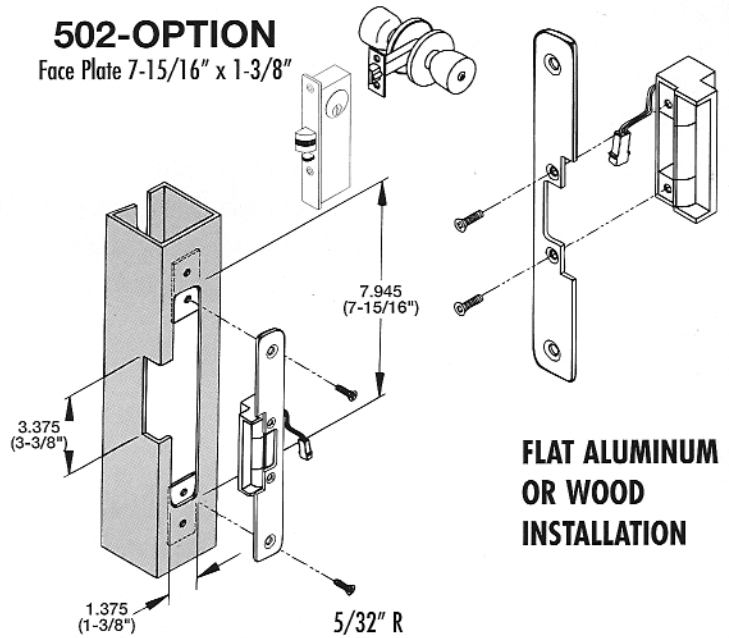
Beveled with Round Corners



RADIUSED ALUMINUM DOOR INSTALLATION

502-OPTION

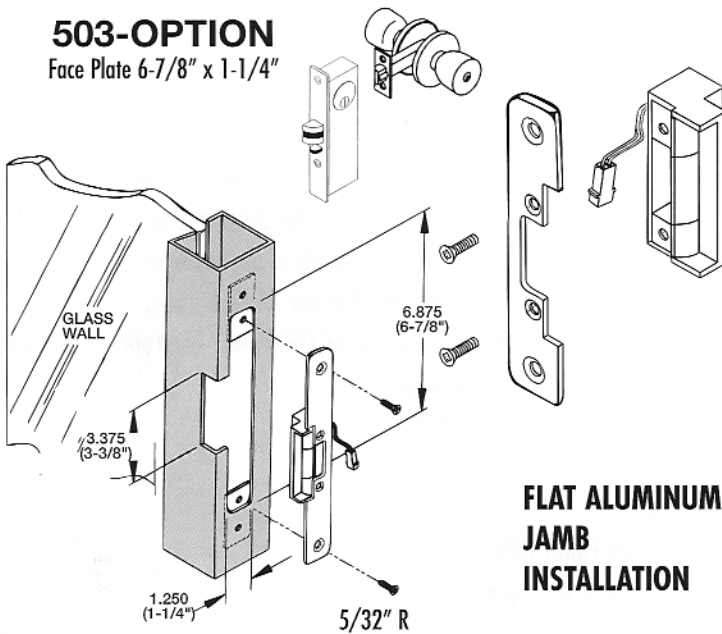
Face Plate 7-15/16" x 1-3/8"



FLAT ALUMINUM OR WOOD INSTALLATION

503-OPTION

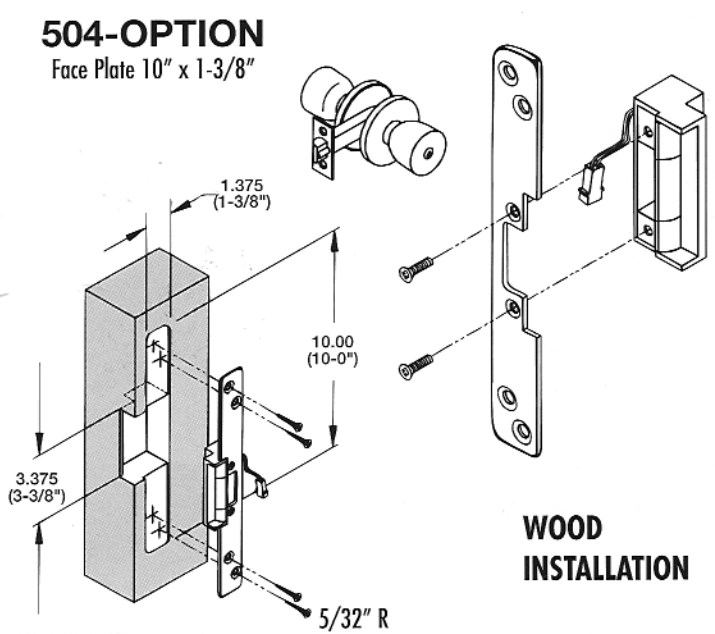
Face Plate 6-7/8" x 1-1/4"



FLAT ALUMINUM JAMB INSTALLATION

504-OPTION

Face Plate 10" x 1-3/8"



WOOD INSTALLATION