

# Roller Latches



## Roller Latch with Strike

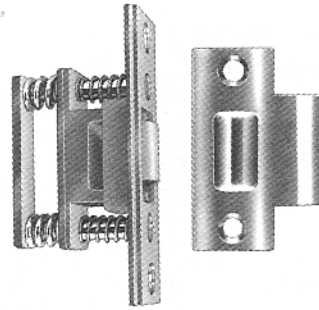
Meets ANSI A156.16 for E09091

### 318D

**1" x 3<sup>3</sup>/<sub>8</sub>" (25 x 86 mm) Latch Face**  
**1<sup>1</sup>/<sub>8</sub>" x 2<sup>3</sup>/<sub>4</sub>" (29 x 70 mm) Strike Size**  
**.060" (1.5 mm) Gauge Wrought Metal Strike**

Material: Forged Brass

Finishes: US3, US10, US10B, US26, and US26D only.



Fasteners	Quantity	
	Box	Case
#8 x 1" FHWS, #8 OH Tapping screws	1 each	50 each

## Roller Latch with Wide Strike

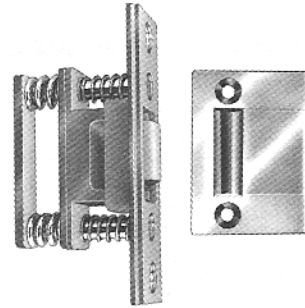
Meets ANSI A156.16 for E09091

### 1442

**1" x 3<sup>3</sup>/<sub>8</sub>" (25 x 86 mm) Latch Face**  
**1<sup>11</sup>/<sub>16</sub>" x 2<sup>1</sup>/<sub>4</sub>" (43 x 57 mm) Strike Size**  
**Cast Metal Strike**

Material: Forged Brass

Finishes: US3, US4, US10, US10B, US26, and US26D only.



Fasteners	Quantity	
	Box	Case
#8 x 1" FHWS, 8/32 FHMS	1 each	50 each

## Roller Latch with ASA Strike

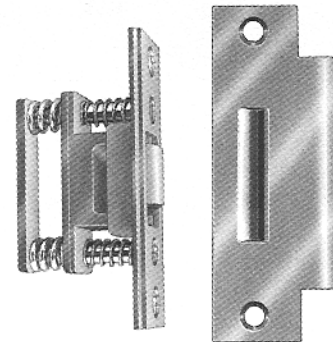
Meets ANSI A156.16 for E09101

### 1443

**1" x 3<sup>3</sup>/<sub>8</sub>" (25 x 86 mm) Latch Face**  
**1<sup>1</sup>/<sub>4</sub>" x 4<sup>7</sup>/<sub>8</sub>" (32 x 124 mm) Strike Size**  
**.090" (2.3 mm) Gauge Wrought Metal Strike**

Material: Forged Brass

Finishes: US3, US10, US10B, US26, and US26D only.



Fasteners	Quantity	
	Box	Case
#12/24 FHMS, #8 OH Tapping screws	1 each	50 each

## Roller Latch with Stop

Meets ANSI A156.16 for E09111

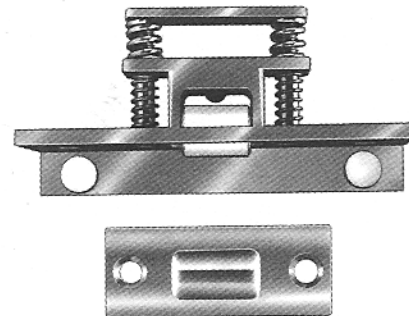
### 318S

**1<sup>1</sup>/<sub>2</sub>" x 4<sup>1</sup>/<sub>2</sub>" (38 x 114 mm) Latch Face**  
**5/8" x 4<sup>1</sup>/<sub>2</sub>" (16 x 114 mm) Angle Stop**  
**1<sup>1</sup>/<sub>8</sub>" x 2<sup>1</sup>/<sub>4</sub>" (29 x 57 mm) Strike Size**  
**Wrought Metal Strike**

Material: Forged Brass

Finishes: US10B, and US26D only.

Silencers integral with latch. Mounts in header with strike in top of door.



Fasteners	Quantity	
	Box	Case
#8 FHMS, #8 OH Tapping screws	1 each	50 each

**36X**

PH. 1-800-325-9995 or 1-314-772-4400 • Fax 1-800-782-0149 or 1-314-772-0744

"THE FIRST FAMILY OF SUPERIOR HARDWARE"