

DORMA's 9000 Series heavy-duty exit devices provide superior durability for high impact applications such as schools, universities, and other institutional or commercial buildings.

The heavy-duty cast chassis provides superior durability, while the smooth reduced projection touchbar assembly minimizes catch hazards. The partial length touchpad permits field installation of options such as cylinder dogging and exit alarm. A full complement of free wheeling lever trim is available in a wide range of architectural finishes.

Certification:

The DORMA 9000 Series is listed by U.L. and C.U.L. under their continuing reinspection programs and conforms to standards U.L. 10C and U.B.C. 7-2 (1997) positive pressure testing. The DORMA 9000 Series is BHMA certified to the requirements of ANSI A156.3 for Grade 1 exit devices.

Specification:

All exit devices shall be DORMA 9000 Series rim, mortise, surface, or concealed vertical rod devices. All devices to have heavy-duty cast chassis. All device touchbar, rail, and cover assemblies shall be constructed of heavy gauge solid wrought materials for true architectural finishes or color coated finishes where applicable. The partial-length touchpad assembly shall permit field installation of options such as cylinder dogging and exit alarm. Non-labeled units to have hex-key dogging standard. Fire rated versions shall be available for labeled applications. All surface vertical rod devices shall have pullman type top latch bolts and round slidebolt bottom latches. All devices to have deadlocking latch bolts with 3/4" throw where applicable. All units shall offer a full range of free wheeling operational trim, except mortise devices. All units shall offer optional rigid and clutch-style trim, where applicable. All devices to be furnished with appropriate mounting hardware including both wood and machine screws, as well as sex nuts where required.

Optional Specifications:

Non-labeled devices to have cylinder dogging. Mortise cylinder not included. Specify **CD**.

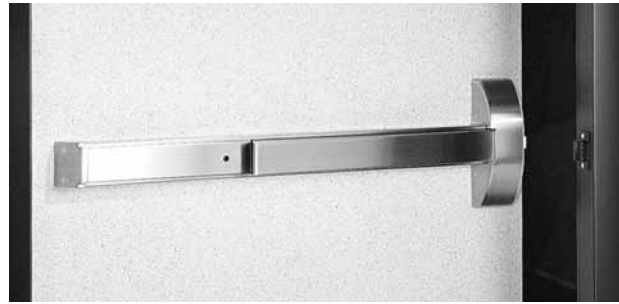
All surface/concealed vertical rod devices to have pullman type bottom latch bolt. Specify **PB**.

All surface/concealed vertical rod devices to have extended top rod up to 10'. Specify **ETR**.

All surface/concealed vertical rod devices to be furnished less bottom rod. Specify **LB**.

Devices to have electric latch bolt retraction to provide remote access from the secure side of door. Can also be used in conjunction with low energy/automatic door operator. Specify **ES** (ES must be powered by PS-501 power supply and ES-105 power transfer).

Devices to have a latch monitor to report the latch bolt status. Specify **LM**.



Devices to be furnished with two switches in the touchbar to provide notification when touchbar is depressed. Specify **MS**.

Devices to have latch monitor with monitor switches in touchbar. Specify **LM/MS**.

Devices to have latch monitor with monitor switches and a bypass to permit authorized exit. Specify **LM/MS BP**.

Devices to have one of the following exit alarm options: battery-powered exit alarm (BPA), battery-powered exit alarm with a 4-minute reset (BPAR), or direct hard-wired exit alarm (DWA).

Devices to use a glass lite shim kit to raise the device from the door surface to accommodate glass light molding. Specify **GK9000**.

All devices for labeled wood or composite doors to be furnished with sex bolts. Specify **SNB**.

All concealed vertical rod exit devices installed in wood doors to be furnished with appropriate brackets, fasteners, and templates for wood door applications. Specify **WD** (9100 only).

All devices to be furnished with rigid trim. Specify **R** after trim number.

All devices to be furnished with clutch-style lever trim. Specify **C** after lever trim number.

Finishes:

Plated Finishes:

Brass: 605 (Bright) or 606 (Satin).
Bronze: 611 (Bright), 612 (Satin), or
613 (Oxidized Satin Oil Rubbed).
Chrome: 625 (Bright) or 626 (Satin).
Aluminum: 628 (Satin).
Stainless Steel: 630 (Satin).

Sprayed Finishes:

Aluminum: 689.
Bronze: 691 (Dull) or 695 (Dark Duranodic).
Gold: 696.

Warranty:

10 Years - Mechanical.
2 Years - Electronic integral components and accessories.

ISO 9001:2000



The quality management system at the Steepleville, IL facility is certified to ISO-9001.*



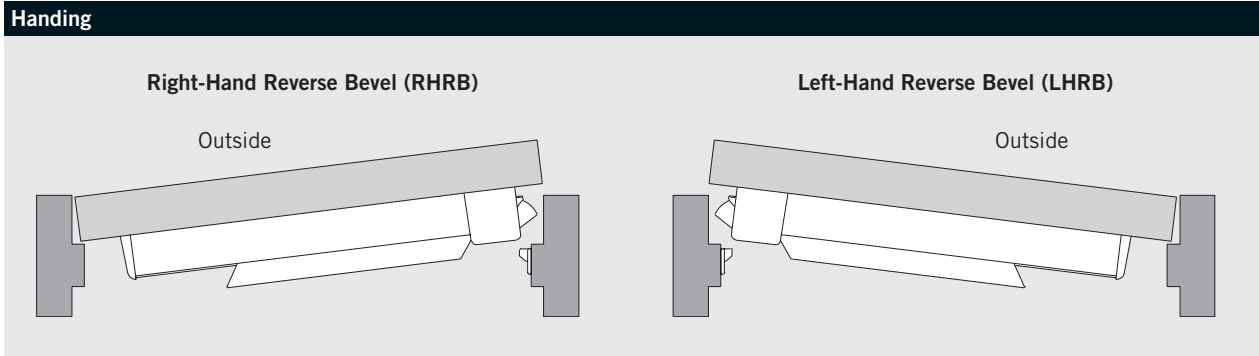
*DORMA Door Controls Inc., dba: DORMA Architectural Hardware

General Information

- Partial width touchbar and rail, chassis, and latch bolt covers are fabricated from brass, bronze, aluminum, steel, or stainless steel.
- End cap for touchbar assembly furnished in complementary finish.
- Some models handed depending on outside operating trim and function.
- Most devices easily field-reversible.
- Fasteners provided for metal and wood door applications.
- Free wheeling, vandal-resistant trim standard.

Data and Features	Model 9100	Model 9300	Model 9400	Model 9500
U.L. Listed for Hazard	•	•	•	•
U.L. Listed for Labeled Fire Doors (prefix F)	○	○	○	○
Size "A" Doors (34"-48") (touchpad 24-5/8")	○	○	○	○
Size "B" Doors (28"-36") (touchpad 18-5/8")	•	•	•	•
Size "C" Doors (25"-30") (touchpad 15-5/8")	○	○	○	○
Door Height up to 8'	•	•	•	•
Door Height up to 10' (specify ETR)	○	NA	○	NA
Door Thickness 1-3/4" to 2-1/4"	•	•	•	•
Device Non-Handed	NA	•	NA	NA
Device Handed but Field Reversible	•	NA	•	NA
Device Handed, Not Reversible	NA	NA	NA	•
Hex Key Dogging (non-listed units only)	•	•	•	•
Cylinder Dogging (non-listed units only)	○	○	○	○
Round Bottom Slide Bolt	•	NA	•	NA
Deadlocking Pullman Type Bottom Latch Bolt (specify PB)	○	NA	○	NA
Less Bottom Rod (specify LB)	○	NA	○	NA
Electric Latch Bolt Retraction (specify ES)	○	○	○	○
Monitor Switch in Touchbar (specify MS)	○	○	○	○
Latch bolt Monitor (specify LM)	○	○	○	○
Latch Monitor/Monitor Switch (specify LM/MS)	○	○	○	○
Latch Monitor/Monitor Switch with Bypass (specify LM/MS BP)	○	○	○	○
Exit Alarm (specify BPA, BPAR or DWA)	○	○	○	○

• Standard Feature ○ Optional Feature NA - not applicable



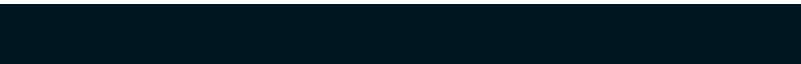
ANSI Function	Function Description	Type 1 Rim Exit Device	Type 2 Surface Vertical Rod Exit Device
01	Exit Only – No Trim	9300 or F9300	9400 or F9400
02	Entrance by trim when actuating bar is locked down.	9300 x (trim) V102/V302 PTT02/PRT02 YR02R/YT02R/YC02R/YK02R	9400 x (trim) V102/V302 PTT02/PRT02 YR02R/YT02R/YC02R/YK02R
03	Entrance by trim when latch bolt is retracted by key. Key removable only when locked.	9300 or F9300 x (trim) V003/V103/V303, Y003 NPT03/PTT03/PRT03 YR03R/YT03R/YC03R/YK03R R03/R03IC/C03/C03IC/K03/K03IC POF03HDA	9400 or F9400 x (trim) V003/V103/V303, Y003 NPT03/PTT03/PRT03 YR03R/YT03R/YC03R/YK03R R03/R03IC/C03/C03IC/K03/K03IC —
04	Entrance by trim when latch bolt is retracted by key or set in retracted position by key.	9300CD x (trim) V003/V103/V303, Y003 NPT03/PTT03/PRT03 YR03R/YT03R/YC03R/YK03R R03/R03IC/C03/C03IC/K03/K03IC POF03HDA	9400CD x (trim) V003/V103/V303, Y003 NPT03/PTT03/PRT03 YR03R/YT03R/YC03R/YK03R R03/R03IC/C03/C03IC/K03/K03IC —
05	Entrance by thumbpiece. Key locks or unlocks thumbpiece.	9300 or F9300 x (trim) HTT05/HRT05	9400 or F9400 x (trim) HTT05/HRT05
06	Entrance by thumbpiece only when released by key. Key removable only when locked.	9300 or F9300 x (trim) HTT06/HRT06	9400 or F9400 x (trim) HTT06/HRT06
08	Entrance by knob or lever. Key locks or unlocks knob or lever.	9300 or F9300 x (trim) YR08/YT08/YC08/YK08 YR08C/YT08C/YC08C R08/R08IC/C08/C08IC/K08/K08IC	9400 or F9400 x (trim) YR08/YT08/YC08/YK08 YR08C/YT08C/YC08C R08/R08IC/C08/C08IC/K08/K08IC
08x08	Entrance by lever. OS or IS key locks or unlocks lever.	F9300 x (trim) YR08x08	— —
09	Entrance by knob or lever only when released by key. Key removable only when locked.	9300 or F9300 x (trim) YR09/YT09/YC09/YK09 YR09C/YT09C/YC09C	9400 or F9400 x (trim) YR09/YT09/YC09/YK09 YR09C/YT09C/YC09C
22	Entrance by thumbpiece (no cylinder). Trim always active.	9300 or F9300 x (trim) HRT22/HTT22	9400 or F9400 x (trim) HRT22/HTT22
23	Entrance by knob or lever (no cylinder). Trim always active.	9300 or F9300 x (trim) YC23/YR23/YT23/YK23 C23/R23/K23	9400 or F9400 x (trim) YC23/YR23/YT23/YK23 C23/R23/K23

ANSI Function	Function Description	Type 3 Mortise Exit Device	Type 7/8 Wood/Metal Door Concealed Vertical Rod Exit Device
01	Exit Only – No Trim	9500 or F9500	9100 or F9100
02	Entrance by trim when actuating bar is locked down.	9500 x (trim) V102M/V302M PTT02M/PRT02M YR02R/YT02R/YC02R/YK02R	9100 x (trim) V102CV/V302CV PTT02CV/PRT02CV YR02R/YT02R/YC02R/YK02R
03	Entrance by trim when latch bolt is retracted by key. Key removable only when locked.	9500 or F9500 x (trim) V003M/V103M/V303M, Y003M NPT03M/PTT03M/PRT03M YR03MR/YT03MR/YC03MR/YK03MR —	9100 or F9100 x (trim) V003CV/V103CV/V303CV, Y003 NPT03CV/PTT03CV/PRT03CV YR03R/YT03R/YC03R/YK03R R03/R03IC/C03/C03IC/K03/K03IC
04	Entrance by trim when latch bolt is retracted by key or set in retracted position by key.	9500CD x (trim) V003M/V103M/V303M, Y003M NPT03M/PTT03M/PRT03M YR03MR/YT03MR/YC03MR/YK03MR —	9100CD x (trim) V003CV/V103CV/V303CV, Y003 NPT03CV/PTT03CV/PRT03CV YR03R/YT03R/YC03R/YK03R R03/R03IC/C03/C03IC/K03/K03IC
05	Entrance by thumbpiece. Key locks or unlocks thumbpiece.	9500 or F9500 x (trim) HTT05M/HRT05M	9100 or F9100 x (trim) HTT05CV/HRT05CV
06	Entrance by thumbpiece only when released by key. Key removable only when locked.	— —	9100 or F9100 x (trim) HTT06CV/HRT06CV
08	Entrance by knob or lever. Key locks or unlocks knob or lever.	9500 or F9500 x (trim) YR08M/YT08M/YC08M/YK08M YR08MC/YT08MC/YC08MC —	9100 or F9100 x (trim) YR08/YT08/YC08/YK08 YR08C/YT08C/YC08C R08/R08IC/C08/C08IC/K08/K08IC
09	Entrance by knob or lever only when released by key. Key removable only when locked.	— — —	9100 or F9100 x (trim) YR09/YT09/YC09/YK09 YR09C/YT09C/YC09C
22	Entrance by thumbpiece (no cylinder). Trim always active.	9500 or F9500 x (trim) HRT22M/HTT22M	9100 or F9100 x (trim) HRT22CV/HTT22CV
23	Entrance by knob or lever (no cylinder). Trim always active.	9500 or F9500 x (trim) YC23M/YR23M/YT23M/YK23M —	9100 or F9100 x (trim) YC23/YR23/YT23/YK23 C23/R23/K23

9300/F9300 Rim Exit Devices

The 9300 and F9300 present a simple, heavy-duty, easily installed solution where high quality panic and fire-listed hardware is needed. The patented exit devices in the 9300 and F9300 Series are available in a full range of finishes and trim options. The F9300 Series devices carry an "A" label for three hour fire door applications.

Model Number	Function	Operation	Trim Model Numbers		
9300 F9300	01	Exit Only (no trim)			
9300 F9300	DT	Dummy Trim	VODT (dummy trim)	NPTDT (dummy trim)	YODT (dummy trim)
9300	02	Entrance by trim when actuating bar is locked down.	V102 V302	PTT02 PRT02	
9300 F9300	03	Entrance by trim when latch bolt is retracted by key. Key removable only when locked.	V003	V103 V303	NPT03
				PTT03 PRT03	Y003
9300CD	04	Entrance by trim when latch bolt is retracted by key or set in a retracted position by key.	V003	V103 V303	NPT03
				PTT03 PRT03	Y003
9300 F9300	05	Entrance by thumbpiece. Key locks or unlocks thumbpiece.			HTT05 HRT05
9300 F9300	06	Entrance by thumbpiece only when released by key. Key removable only when locked.			HTT06 HRT06
9300 F9300	08	Entrance by knob or lever. Key locks or unlocks knob or lever.			YK08
					YR08 YT08 YC08
F9300	08x08	Entrance by lever. Outside or inside key locks or unlocks lever.			YR08x08
9300 F9300	09	Entrance by knob or lever only when released by key. Key removable only when locked.			YK09
					YR09 YT09 YC09
9300	22	Entrance by thumbpiece and pull or pull only when actuating bar is locked down.			HTT22 HRT22
9300 F9300	23	Entrance by knob or lever (no cylinder). Knob or lever always active.			YK23
					YR23 YT23 YC23



YK02R

YR02R
YT02R
YC02R

YK03R

YR03R
YT03R
YC03R

K03
K03IC

R03
R03IC

C03
C03IC

POF03HDA

YK03R

YR03R
YT03R
YC03R

K03
K03IC

R03
R03IC

C03
C03IC

POF03HDA

YR08C
YT08C
YC08C

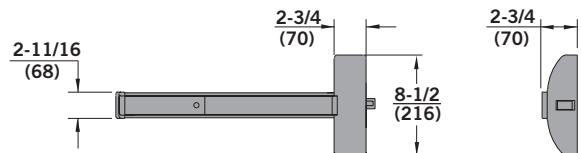
K08
K08IC

R08
R08IC
C08
C08IC

YR09C
YT09C
YC09C

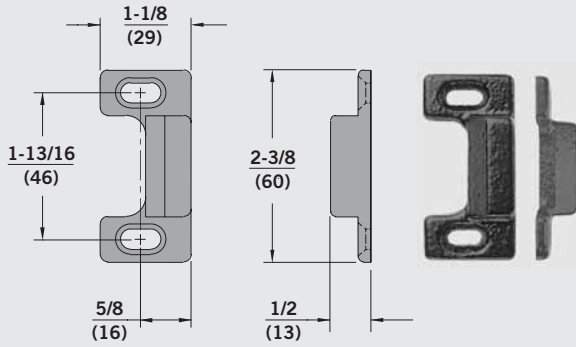
K23

R23
C23

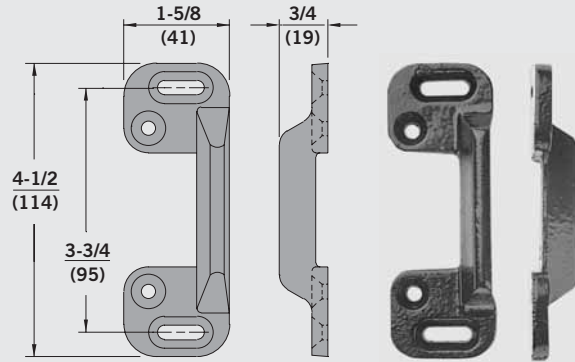


Standard Strikes

No. 416 - Standard Strike with 9300

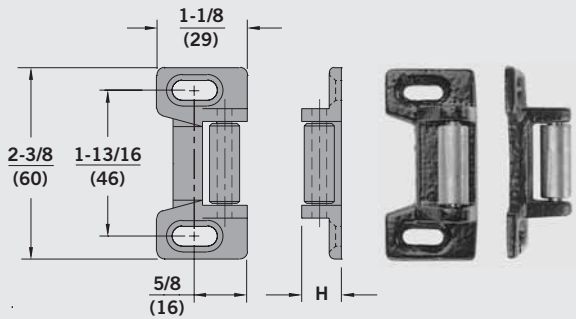


No. 463 - Standard Strike with F9300; Optional with 9300



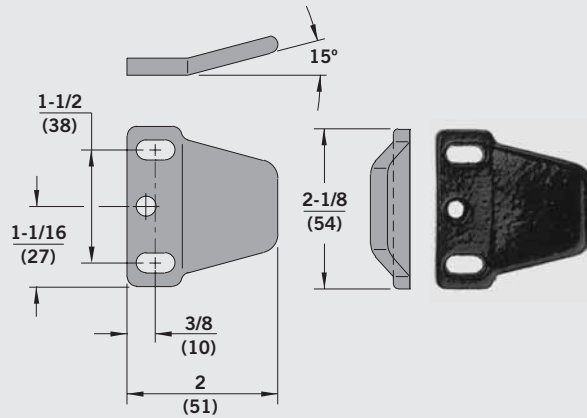
Optional Strikes

No. 476/486 - Roller Strikes for use with 9300



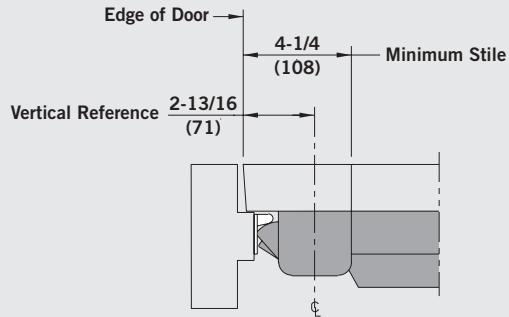
476	1/2" (13)
486	3/4" (19)

No. 320 - Overlap Strike for use with 9300

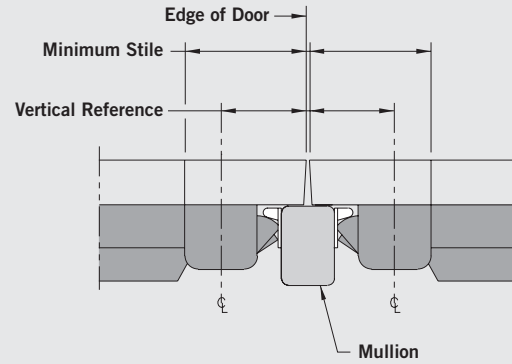


Minimum Stile and Vertical Reference

Single Door

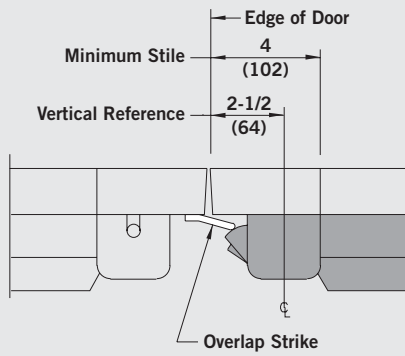


Pair Doors with Mullion



Mullion	Strike	Vert.Ref.	Min. Stile
1310	All	2-3/4" (70)	4-3/16" (106)
1330	All	2-15/16" (75)	4-3/8" (111)
F1300	All	3-1/4" (83)	4-11/16" (119)

Rim and Vertical Rod Pair Doors with No Mullion



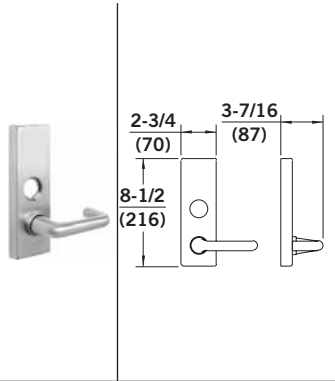
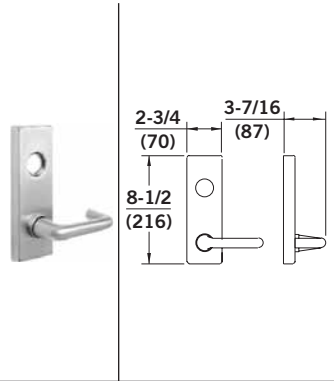
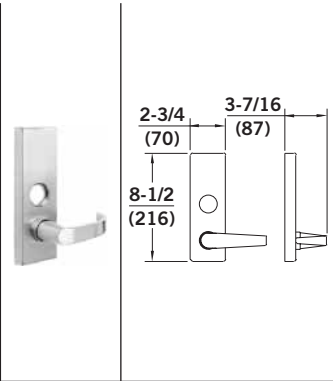
Trim

Trim Descriptions	Raised Escutcheon Plate with Cylinder Hole	Raised Escutcheon Plate with Cylinder Hole (mortise)	Raised Escutcheon Plate Knob with Cylinder Hole (rigid trim)
Trim Designations	Y003	Y003M	YK03R
Handing	—	—	—
Function	O3 or O4 (with CD device)	O3 or O4 (with CD device)	O3 or O4 (with CD device)
DORMA Cylinder (ordered separately)	80R20DC – Rim 86R20BA – 6-pin IC 87R20BA – 7-pin IC	90X10DC112 – Mortise 96D10BA134 – 6-pin IC 97D10BA134 – 7-pin IC	80R20DC – Rim 86R20BA – 6-pin IC 87R20BA – 7-pin IC

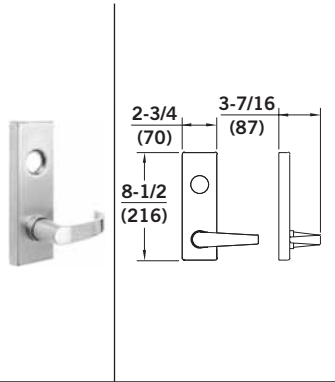
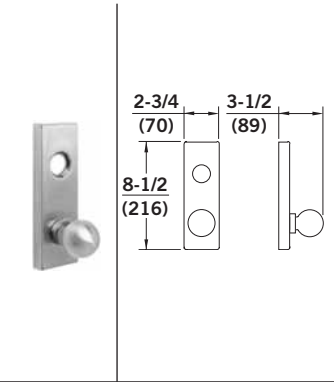
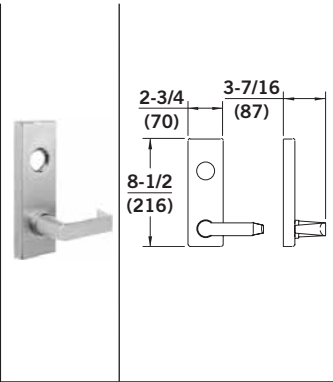
Trim

Trim Descriptions	Raised Escutcheon Plate Knob with Cylinder Hole (mortise x rigid trim)	Raised Escutcheon Plate Rectangular Lever with Cylinder Hole (rigid trim)	Raised Escutcheon Plate Rectangular Lever with Cylinder Hole (mortise x rigid trim)
Trim Designation	YK03MR	YR03R	YR03MR
Handing	—	—	—
Function	O3 or O4 (with CD device)	O3 or O4 (with CD device)	O3 or O4 (with CD device)
DORMA Cylinder (ordered separately)	90X10DC112 – Mortise 96D10BA134 – 6-pin IC 97D10BA134 – 7-pin IC	80R20DC – Rim 86R20BA – 6-pin IC 87R20BA – 7-pin IC	90X10DC112 – Mortise 6D10BA134 – 6-pin IC 97D10BA134 – 7-pin IC

Trim

			
Trim Descriptions	Raised Escutcheon Plate Tubular Lever with Cylinder Hole (rigid trim)	Raised Escutcheon Plate Tubular Lever with Cylinder Hole (mortise x rigid trim)	Raised Escutcheon Plate Curved Lever with Cylinder Hole (rigid trim)
Trim Designation	YTO3R	YTO3MR	YCO3R
Handing	—	—	—
Function	O3 or O4 (with CD device)	O3 or O4 (with CD device)	O3 or O4 (with CD device)
DORMA Cylinder (ordered separately)	80R20DC – Rim 86R20BA – 6-pin IC 87R20BA – 7-pin IC	90X10DC112 – Mortise 96D10BA134 – 6-pin IC 97D10BA134 – 7-pin IC	80R20DC – Rim 86R20BA – 6-pin IC 87R20BA – 7-pin IC

Trim

			
Trim Descriptions	Raised Escutcheon Plate Curved Lever with Cylinder Hole (mortise x rigid trim)	Raised Escutcheon Plate Knob with Cylinder Hole	Raised Escutcheon Plate Rectangular Lever with Cylinder Hole
Trim Designation	YCO3MR	YK08M	YR08M, YR08MC
Handing	—	—	Specify Hand YR08MC
Function	O3 or O4 (with CD device)	O8	O8
DORMA Cylinder (ordered separately)	90X10DC112 – Mortise 96D10BA134 – 6-pin IC 97D10BA134 – 7-pin IC	90X10DC112 – Mortise 96D10BA134 – 6-pin IC 97D10BA134 – 7-pin IC	90X10DC112 – Mortise 96D10BA134 – 6-pin IC 97D10BA134 – 7-pin IC

Trim

Trim Descriptions	Raised Escutcheon Plate Tubular Lever with Cylinder Hole	Raised Escutcheon Plate Curved Lever with Cylinder Hole	Raised Escutcheon Plate Knob with Cylinder Hole
Trim Designations	YT08M, YT08MC	YC08M, YC08MC	YK08, YK09
Handing	Specify Hand YT08MC	Specify Hand YC08MC	—
Function	08	08	08, 09
DORMA Cylinder (ordered separately)	90X10DC112 – Mortise 96D10BA134 – 6-pin IC 97D10BA134 – 7-pin IC	90X10DC112 – Mortise 96D10BA134 – 6-pin IC 97D10BA134 – 7-pin IC	90X10DC118 – Mortise 96C10BA138 – 6-pin IC 97C10BA138 – 7-pin IC

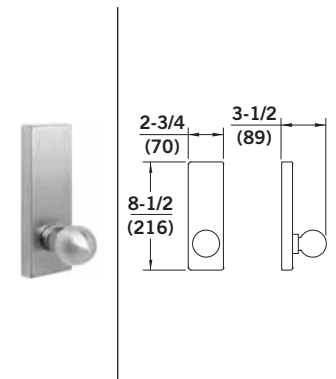
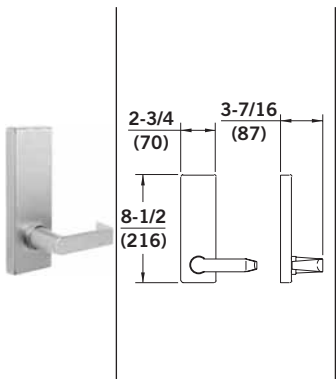
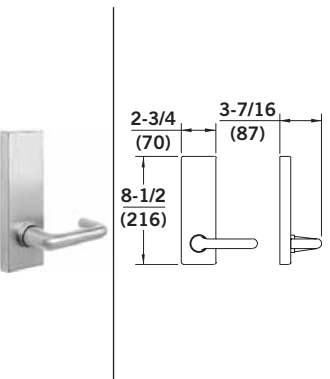
Trim

Trim Descriptions	Raised Escutcheon Plate Rectangular Lever with Cylinder Hole	Raised Escutcheon Plate Tubular Lever with Cylinder Hole	Raised Escutcheon Plate Curved Lever with Cylinder Hole
Trim Designations	YR08, YR08C, YR08x08*, YR09, YR09C	YT08, YT08C YT09, YT09C	YC08, YC08C YC09, YC09C
Handing	Specify Hand YR08C, YR08x08, YR09C	Specify Hand YT08C, YT09C	Specify Hand YC08C, YC09C
Function	08, 09	08, 09	08, 09
DORMA Cylinder (ordered separately)	90X10DC118 – Mortise 96C10BA138 – 6-pin IC 97C10BA138 – 7-pin IC	90X10DC118 – Mortise 96C10BA138 – 6-pin IC 97C10BA138 – 7-pin IC	90X10DC118 – Mortise 96C10BA138 – 6-pin IC 97C10BA138 – 7-pin IC

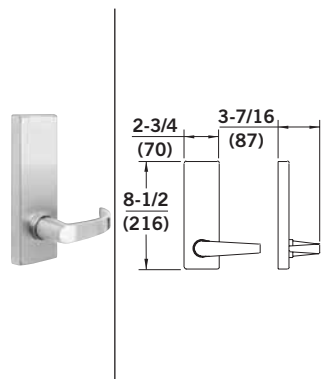
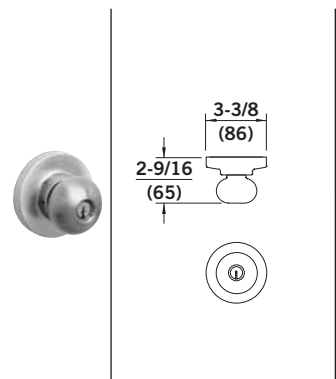
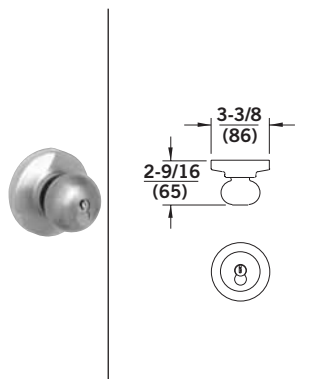
*YR08x08 trim requires push-side rim cylinder (ordered separately).

DORMA Cylinder: 80R20DC – Rim
86R20BA – 6-pin IC
87R20BA – 7-pin IC


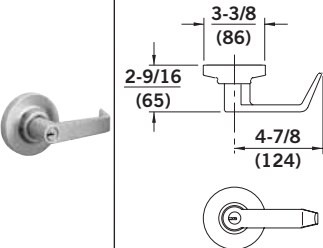
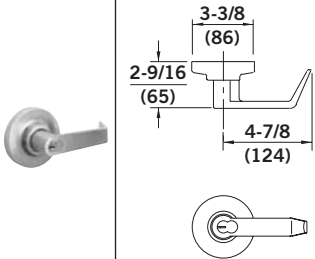
Trim

			
Trim Descriptions	Raised Escutcheon Plate Knob	Raised Escutcheon Plate Rectangular Lever	Raised Escutcheon Plate Tubular Lever
Trim Designations	YK02R, YK23, YK23M	YR02R, YR23, YR23M	YT02R, YT23, YT23M
Handing	—	—	—
Function	02 or 23	02 or 23	02 or 23
DORMA Cylinder (ordered separately)	—	—	—


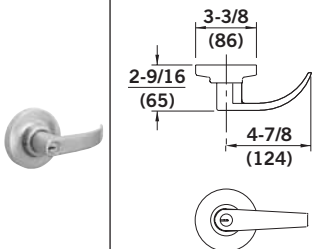
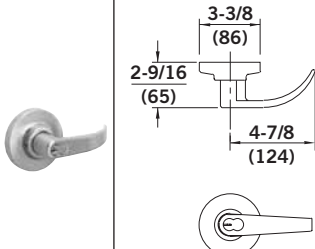
Trim

			
Trim Descriptions	Raised Escutcheon Plate Curved Lever	Key-in-Knob	Key-in-Knob Interchangeable Core
Trim Designations	YC02R, YC23, YC23M	K03, K08	K03IC, K08IC
Handing	—	Specify Hand	Specify Hand
Function	02 or 23	03 or 08	03 or 08
DORMA Cylinder (ordered separately)	—	Includes DORMA key-in-lever/knob cylinder 7011DC KD	Accepts SFIC 76BAxxx – 6-pin IC 77BAxxx – 7-pin IC

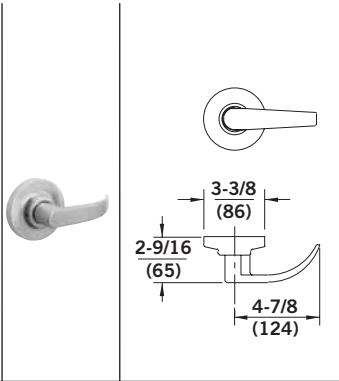
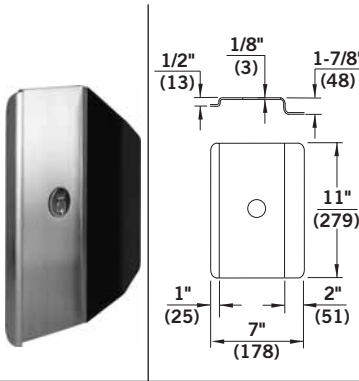
Trim

			
Trim Descriptions	Knob	Key-in-Rectangular Lever	Key-in-Rectangular Lever Interchangeable Core
Trim Designations	K23	R03, R08	R03IC, R08IC
Handing	—	Specify Hand	Specify Hand
Function	23	03 or 08	03 or 08
DORMA Cylinder (ordered separately)	—	Includes DORMA key-in-lever/knob cylinder 7011DC KD	Accepts SFIC 76BAxxx – 6-pin IC 77BAxxx – 7-pin IC

Trim

			
Trim Descriptions	Rectangular Lever	Key-in-Curved Lever	Key-in-Curved Lever interchangeable Core
Trim Designations	R23	C03, C08	C03IC, C08IC
Handing	Specify Hand	Specify Hand	Specify Hand
Function	23	03 or 08	03 or 08
DORMA Cylinder (ordered separately)	—	Includes DORMA key-in-lever/knob cylinder 7011DC KD	Accepts SFIC 76BAxxx – 6-pin IC 77BAxxx – 7-pin IC

Trim

		
Trim Descriptions	Curved Lever	Heavy-Duty Offset Pull with Cylinder Hole
Trim Designations	C23	POF03HDA
Handing	Specify Hand	—
Function	23	03
DORMA Cylinder (ordered separately)	—	80R20DC – Rim 80R20BA – 6-pin IC 87R20BA – 7-pin IC

Key-in-Knob and Key-in-Lever trim are reversible in the field.

Note: All operating trim furnished free wheeling as standard, except mortise devices.

Trim Options

Clutch Lever Trim –

Although mandated to meet ADA requirements, lever handles are especially subject to vandalism and damage. The **clutch** option for lever trim includes an internal slip clutch mechanism which allows the lever handle to break away without damage or violating security when excessive force is applied. The lever can be lifted back to horizontal to reset it.

An internal dead stop limits the break away to 55° of lever handle rotation. Specify suffix **C** to trim designation. Available only on YC, YR, or YT trim. Specify hand.

Rigid Trim –

Rigid lever and knob option is available on YC, YK, YR, and YT trim. Specify suffix **R** to trim designation.

Electrified Trim –

Electrified **Y** style trim with integral locking/unlocking option. Trim can be used with models 9100/F9100, 9300/F9300 and 9400/F9400. Available as fail-secure or fail-safe. Specify suffix **LFSC** (fail-secure) or **LFSF** (fail-safe) following trim designation. Available for the 09 function only. An integral microswitch is available as an option to monitor the status of the trim.

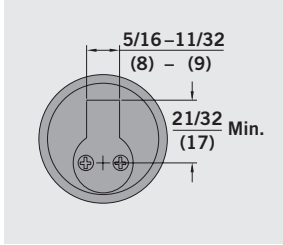
Electrified option also available with the 9500/F9500 mortise device which utilizes an electrified mortise lock design. Specify suffix following exit device designation, i.e. 9500LFSF. Available for all styles of trim with an 08 function. This option is not field-interchangeable between fail-secure and fail-safe.

All electrified trim options must use a PS502RF power supply to prevent permanent damage to the electronics. Two devices can be powered by a PS502RF.

The PS502RF should utilize the relay of a card reader or keypad to trigger the electrified trim.

Mortise and Rim Cylinder Specifications**NOTES:**

1. Reference specific trim on pages 22–31 for DORMA rim and mortise cylinder requirements.
2. Cylinder illustrations are for mortise cylinder requirements.

Mortise Cylinder**Key-in-Lever/Knob Cylinder Specifications**

Trim K03, K08, R03, R08, C03, and C08 use a key-in-lever/knob cylinder.

DORMA 7011DC KD key-in-lever/knob cylinder included standard with trim.

**Interchangeable Core Cylinder Specifications**

Trim K03IC, K08IC, R03IC, R08IC, C03IC, and C08IC use a small format interchangeable core cylinder.

Order DORMA cylinder:

76BA – 6-pin IC

77BA – 7-pin IC

**Delayed Egress**

For delayed egress touchbar, order DORMA cylinder 90X10DC118.

