



D800 Heavy-Duty Grade 1 Dead Bolts

Features and Technical Details 3
 How to Order. 4

Functions

Cylinder x Turn – D860 5
 Cylinder x Blank – D861 5
 Cylinder x Cylinder – D862. 5
 Cylinder x Classroom – D863 5
 Turn x Blank Plate – D880 5
 Turn Only – D881 5

Lock Options

1" Throw Latch Bolt 5
 2-3/4" Strike 5
 4-7/8" Strike 5
 Full Lip Strike 5

DB600 Grade 2 Dead Bolts

Features and Technical Details 6
 How to Order. 7

Functions

Cylinder x Turn – DB660 8
 Cylinder x Cylinder – DB662. 8

Lock Options

1" Throw Latch Bolt 8
 2-3/4" Strike 8
 4-7/8" Strike 8
 Full Lip Strike 8

ISO 9001:2000



The quality management systems at the Reamstown, PA and Steeleville, IL facilities are certified to ISO-9001.*



*DORMA Door Controls Inc., dba: DORMA Architectural Hardware

DORMA's D800 Series Heavy Duty dead bolts provide increased security, reliability, and durability.

DORMA offers a choice of rugged dead bolts to provide an added level of protection. The D800 Series are Grade 1 dead bolts available in both 2-3/8" and 2-3/4" (standard) backsets. The large dead bolt is made from stainless steel for strength and corrosion resistance. A heavy duty brass cylinder in a hardened steel housing surrounded by a heavy steel spin ring complete the security package in the door. This is coupled with a solid steel strike for use in a hollow metal frame and an additional reinforcing plate with three inch screws for wood jamb installations. All of these features provide an exceptionally strong and secure dead bolt.

Technical Details:

ANSI/BHMA A156.5 Grade 1	Yes	Highest grade level obtainable
U.L. listed for UL 10B/10C and UBC.7.2 (1997)	Yes	U.L. and C.U.L. listed for use on 3 hour rated fire doors
Warranty	10-year	Exceptional mechanical warranty
Hardened steel housing	Yes	Provides superior protection against blunt force attack
Large steel spin ring	Yes	Provides protection against attack by wrenching and prying
2 1/4-20 high strength steel mounting screws	Yes	Provides protection against prying
Available in all DORMA SKC keyways in both Small Format Interchangeable Core (SFIC) and standard cylinders. Also available in many Best keyway as well as Schlage C and E, Sargent LA, and many others. Consult factory for additional keyways.	Yes	Provides the ability to fit in both new and existing applications
Strike reinforcement with 3" wood screws for wooden jambs	Yes	Substantially increases resistance to kick in attack

Recommended Applications

- Schools and Universities
- Hotels
- Apartments
- Hospitals and Nursing Homes
- Churches
- Municipal Buildings
- Airports
- Retail Complexes
- Offices
- Warehouses

Certification:

The DORMA D800 Heavy Duty Dead Bolt is Certified BHMA Grade 1 and UL Listed for three hour fire rated door.

Cylinders and Keying:

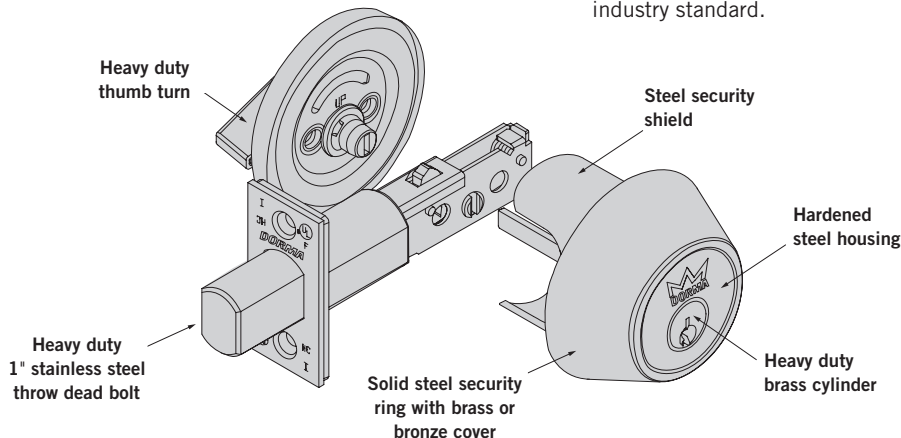
- Unless otherwise specified, cylinders will be provided in DORMA standard keyway with two (2) nickel silver keys.
- Optional patented key system available.
- Refer to **DORMA Price List** for full details and options such as master keying, retrofit cylinders and keyways, and small format interchangeable cores.

Warranty: Ten (10) year limited warranty.

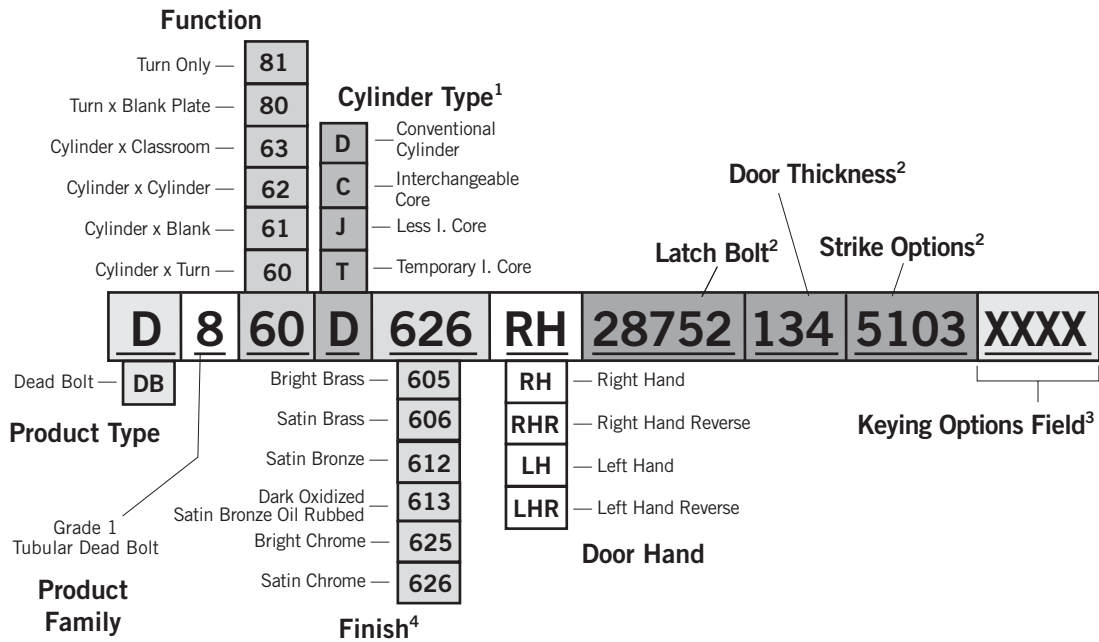
Finishes:

Brass: 605 (Bright) or 606 (Satin).
Bronze: 612 (Satin) or 613 (Dark Oxidized Oil Rubbed Satin).
Chrome: 625 (Bright) or 626 (Satin).

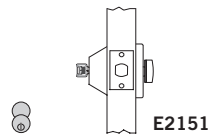
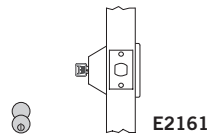
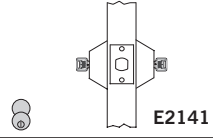
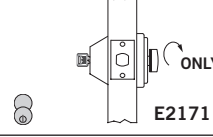
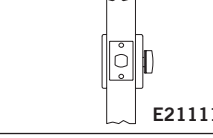
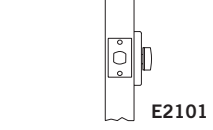
In some instances, for customer convenience, the most appropriate BHMA finish symbols are used to indicate similarity of appearance, regardless of base metal or finishing process. Finishes of latches, strikes, cylinders/cores, and visible mounting screws, though similar in appearance, may differ from the finish of the trim. Finish designations in the 600-Series are the BHMA (Builders Hardware Manufacturers Association) industry standard.



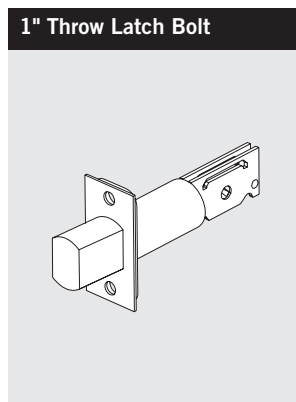
How to Order D800 Series



1. The Less Cylinder option is not available for the D800 Series.
2. Example shows default values. Refer to Lock Options section for full details.
3. Refer to **DORMA Price List** for full details.
4. For split finishes or split trims, consult factory.

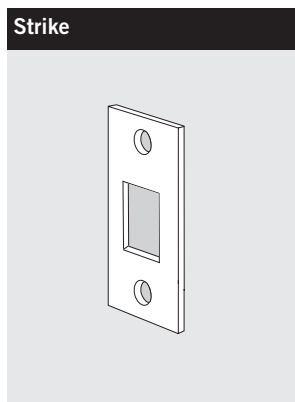
FUNCTION	SERIES	OUTSIDE/INSIDE	DESCRIPTION
Cylinder x Turn	D860	 E2151	<ul style="list-style-type: none"> • Dead bolt operated by key outside or by turn inside.
Cylinder x Blank	D861	 E2161	<ul style="list-style-type: none"> • Dead bolt operated by key one side. Blank plate on other side.
Cylinder x Cylinder	D862	 E2141	<ul style="list-style-type: none"> • Dead bolt operated by key either side.
Cylinder x Classroom	D863	 E2171 ONLY	<ul style="list-style-type: none"> • Dead bolt operated by key outside. • Turn retracts dead bolt but does not project it.
Turn x Blank Plate	D880	 E21111	<ul style="list-style-type: none"> • Dead bolt operated by turn inside. Blank plate on other side.
Turn Only	D881	 E2101	<ul style="list-style-type: none"> • Dead bolt operated by turn inside. No trim on outside.

 Indicates SFIC Core available.

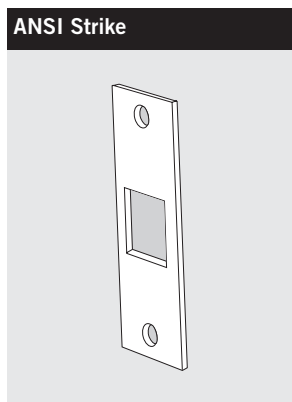


28752 — 1-1/8" x 2-1/4"
1" throw dead bolt with 2-3/4" backset. Standard for D800 Series Dead Bolts.

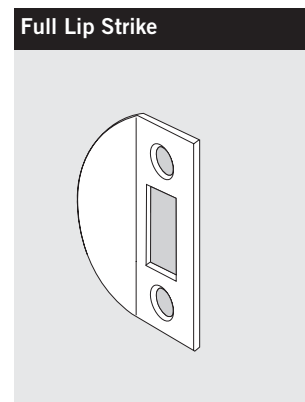
28652 — 1-1/8" x 2-1/4"
1" throw dead bolt with 2-3/8" backset. Optional for D800 Series Dead Bolts.



5103 — 1-1/8" x 2-3/4"
strike. No lip. Standard for D800 Series Dead Bolts.



5004 — 1-1/4" x 4-7/8"
ANSI strike with dead bolt cutout. No lip. Optional for D800 Series Dead Bolts.



5203 — 1-5/8" x 2-1/4" full lip strike with dead bolt cutout. 1-1/8" lip length. Optional for D800 Series Dead Bolts.

DORMA's DB600 Series Grade 2 dead bolts provide increased security, reliability, and durability.

DORMA offers a choice of rugged dead bolts to provide an added sense of protection. The DB600 Series are Grade 2 dead bolts with an adjustable 2-3/8"-2-3/4" backset. The 1" throw dead bolt includes a hardened steel roller to prevent sawing through the bolt. The heavy duty cylinders are through-bolted, with reinforced cylinder rings to protect against physical attack. Brass 6-pin cylinders are provided for security and durability. The solid steel strike plate reinforcement with 2" screws protects the door jamb against a kick-in attack.

Technical Details:

ANSI/BHMA A156.5 Grade 2	Yes	Excellent for medium duty applications
U.L. listed for UL 10B/10C and UBC.7.2 (1997)	Yes	U.L. and C.U.L. listed for use on 3 hour rated fire doors
Warranty	5-year	Five (5) year limited warranty
2-3/8" - 2-3/4" adjustable backset bolt	Yes	Provides additional flexibility in stocking and ordering
Hardened steel roller in dead bolt		Provides resistance to sawing
Available in all DORMA SKC keyways in both Small Format Interchangeable Core (SFIC) and standard cylinders. Also available in many Best keyway as well as Schlage C and E, Sargent LA, and many others. Consult factory for additional keyways.	Yes	Dead bolt front manufactured from stainless steel, brass, or bronze, depending on selected finish
Strike reinforcement with 3" wood screws for wooden jams	Yes	Substantially increases resistance to kick in attack

Recommended Applications

- Apartments
- Municipal Buildings
- Retail Complexes
- Warehouses

Certifications:

The DORMA DB600 is certified to the requirements of ANSI A156.5 2001 Grade 2.

The DORMA DB600 is U.L./C.U.L. listed as 3-hour fire rated auxiliary lock.

Cylinders and Keying:

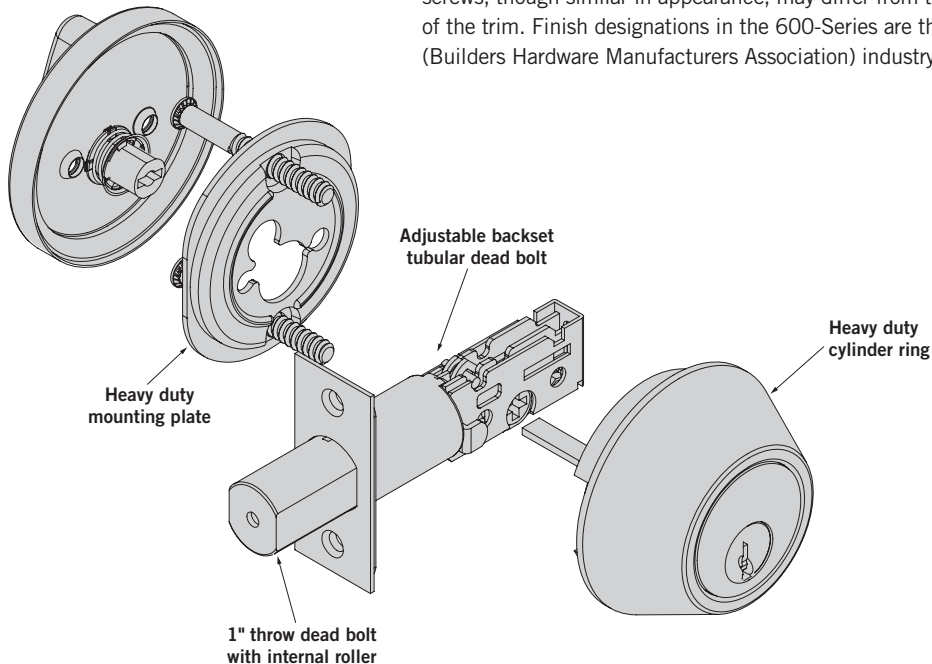
- Unless otherwise specified, cylinders will be provided in DORMA standard keyway with two (2) nickel silver keys.
- Optional patented key system available.
- Refer to **DORMA Price List** for full details and options such as master keying, retrofit cylinders and keyways, and small format interchangeable cores.

Warranty: Five (5) year limited warranty.

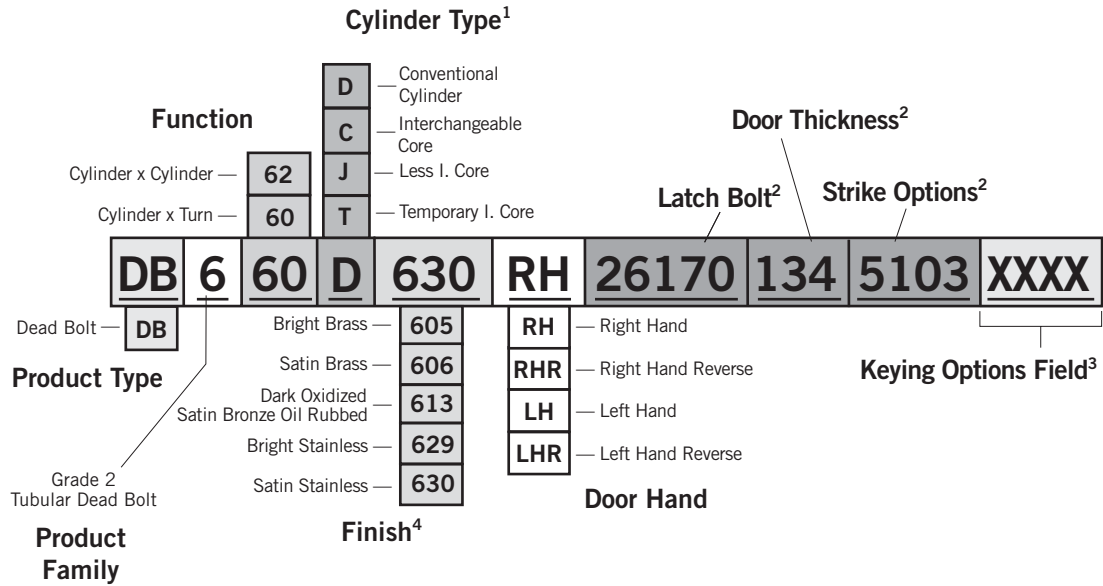
Finishes:

Brass: 605 (Bright), 606 (Satin), or 609 (Antique).
Bronze: 613 (Dark Oxidized Oil Rubbed Satin).
Stainless Steel: 629 (Bright) or 630 (Satin).

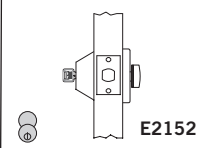
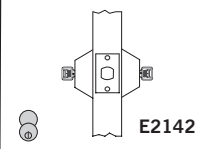
In some instances, for customer convenience, the most appropriate BHMA finish symbols are used to indicate similarity of appearance, regardless of base metal or finishing process. Finishes of latches, strikes, cylinders/cores, and visible mounting screws, though similar in appearance, may differ from the finish of the trim. Finish designations in the 600-Series are the BHMA (Builders Hardware Manufacturers Association) industry standard.



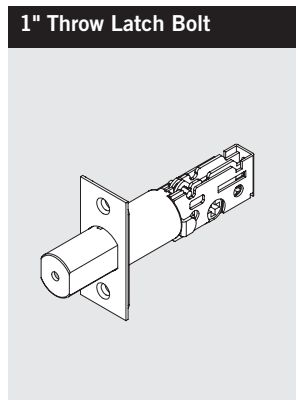
How to Order DB600 Series



1. The Less Cylinder option is not available for the DB600 Series.
2. Example shows default values. Refer to Lock Options section for full details.
3. Refer to **DORMA Price list** for full details.
4. For split finishes or split trims, consult factory.

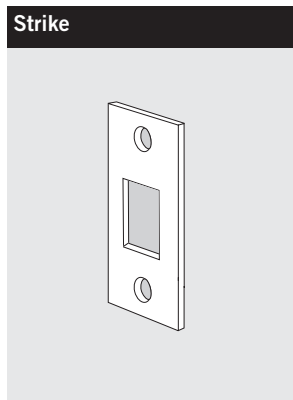
FUNCTION	SERIES	OUTSIDE/INSIDE	DESCRIPTION
Cylinder x Turn	DB660	 E2152	<ul style="list-style-type: none"> • Dead bolt operated by key outside or by turn inside.
Cylinder x Cylinder	DB662	 E2142	<ul style="list-style-type: none"> • Dead bolt operated by key either side.

 Indicates SFIC Core available.

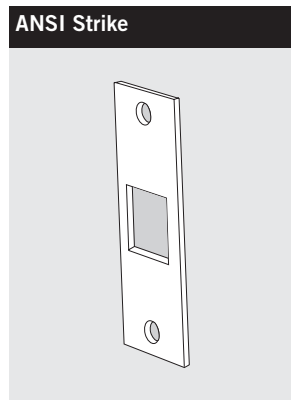


26170 — 1-1/8" x 2-1/4" front, 1" diameter, 1" throw dead bolt with 2-3/8"-2-3/4" adjustable backset. Square corner. Standard for DB600 Series Dead Bolts.

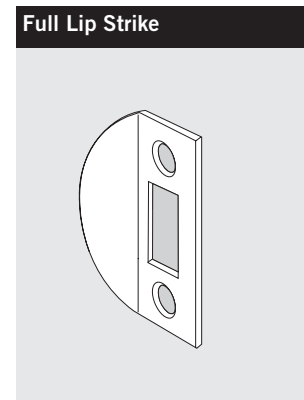
26173 — 1" diameter, 1" throw dead bolt with 2-3/8"-2-3/4" adjustable backset. Drive in. Optional for DB600 Series Dead Bolts.



5103 — 1-1/8" x 2-3/4" strike. No lip. Standard for DB600 Series Dead Bolts.



5004 — 1-1/4" x 4-7/8" ANSI strike with dead bolt cutout. No lip. Optional for DB600 Series Dead Bolts.



5203 — 1-5/8" x 2-1/4" full lip strike with dead bolt cutout. 1-1/8" lip length. Optional for DB600 Series Dead Bolts.

**DORMA Group
North America**
www.dorma-usa.com

DORMA Architectural Hardware
DORMA Drive, Drawer AC
Reamstown, PA 17567-0411
Telephone: (800) 523-8483
Facsimile: (800) 274-9724
E-mail: archdw@dorma-usa.com

DORMA Canada
1680 Courtney Park Drive, Unit 13
Mississauga, Ontario L5T 1R4
Telephone: (800) 387-4938
Facsimile: (905) 670-5850
E-mail: sales@dormacanada.com

DORMA Mexico, S. de R.L. de C.V.
Astrónomos 28
Col. Escandón
11800, México, D.F.
Mexico
Telephone: (52+55) 5272-6937
Facsimile: (52+55) 5272-6948
E-mail: dormaoper@prodigy.net.mx