



CL800/CK800 Grade 1 Cylindrical Locksets

Features	3	Classroom – CL870, CK870	8
Technical Details and Specifications	4	Communicating – CL872, CK872	9
How to Order	5	Corridor – CL873, CK873	9
Trim Designs		Classroom Intruder – CL877	9
CL800 LR Lever	6	Storeroom – CL880, CK880	9
CL800 LC Lever	6	Electrified Fail Safe – CL880EL, CK880EL	9
CL800 LG Lever	6	Electrified Fail Secure – CL880EU, CK880EU	9
CK800 KR Knob	7	Asylum – CL882, CK882	9
CK800 KB Knob	7	Hotel – CL885, CK885	9
Functions		Lock Options	
Dummy Trim One Side – CL801, CK801	8	1/2" Throw Latch Bolts	10
Passage – CL810, CK810	8	3/4" Throw Latch Bolt	10
Patio – CL830, CK830	8	5" Backset Link	10
Privacy – CL840, CK840	8	4-7/8" Strike	11
Hospital Privacy – CL844	8	T-Strike	11
Entry – CL853, CK853	8	Full Lip Strike	11
Apartment – CL860, CK860	8		

ISO 9001:2000



The quality management systems at the Reamstown, PA and Steeleville, IL facilities are certified to ISO-9001.*



*DORMA Door Controls Inc., dba: DORMA Architectural Hardware

DORMA's CL800 and CK800 Series Grade 1 heavy-duty cylindrical locksets provide exceptional security, enhanced aesthetics, and rugged dependability.

These premium locks are built with a high performance cylindrical chassis for all applications where ANSI A156.2 Series 4000 Grade 1 products are required. To meet the aesthetic needs of your project, these versatile locks are available in a range of lever and knob trim designs — Choose between the LR, LC, and LG lever designs or the KR and KB knob designs. Made in the USA.

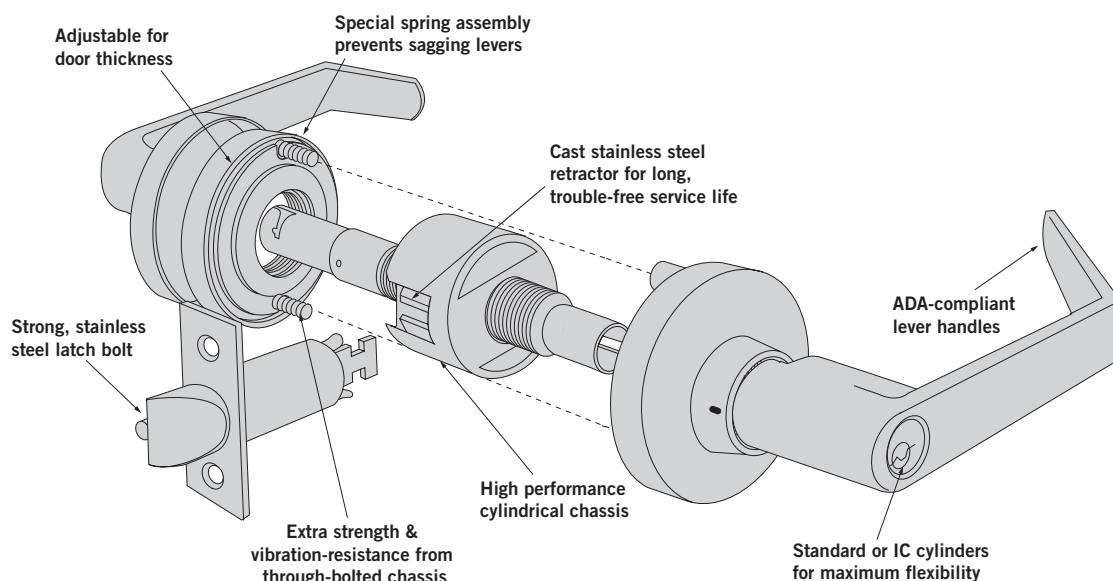
Features

- All DORMA 800 Series locks feature advanced design concepts for extreme reliability and are manufactured with the finest materials for exceptional durability.
- To ensure exceptionally smooth operation, the CL800 and CK800 Series locks incorporate a cast stainless steel retractor combined with bronze roller bearings. This design provides both extremely high strength and an extended service life for the lock mechanism.
- DORMA 800 Series locksets are easy to install in both wood and hollow metal doors with ANSI Standard A115 preparations for cylindrical locks.
- All CL800 Series locks are through-bolted for additional strength and reliability.

Recommended Applications

- Schools and Universities
- Hotels
- Apartments
- Hospitals and Nursing Homes
- Churches
- Municipal Buildings
- Airports
- Retail Complexes
- Offices
- Warehouses

- All CL800 Series operating trims feature a specially designed freewheeling function to protect the lock from damage caused by excessive torque applied to the lever handles. When locked, the outside lever handle will move freely through a 60° arc without operating the latch bolt. This free movement minimizes the opportunity for damage to the lock mechanism.
- All CL800 lever handle locks include a special, high strength spring and positive stop to eliminate unsightly sagging levers.
- LR, LC, and LG lever designs include a special breakaway function to maintain security when the lever handles are attacked.



Technical Details:

- CL800 Grade 1 Heavy-Duty Cylindrical Key-In-Lever Locksets; CK800 Grade 1 Heavy-Duty Cylindrical Key-In-Knob Locksets.
- Reversible handing.
- Key-in-lever lock is through-bolted for additional strength and security.
- Lock chassis manufactured with selected stainless steel and zinc dichromate components for superior strength and corrosion-resistance.
- Latch bolt front manufactured from stainless steel, brass, or bronze, depending on selected finish.
- Cast stainless steel retractor with bronze bearings for exceptionally smooth operation.
- Stainless steel latch bolt.
- Stainless steel strikes.
- Optional electrically controlled fail safe (880EL) and fail secure (880EU) functions operate on 24 V AC/DC @ 0.21 A.
- Auxiliary deadlocking latch bolt prevents manipulation when door is closed.

Certification:

The DORMA CL800 and CK800 are U.L. and C.U.L listed, three hour fire rated. Locksets with 1/2" throw latch bolts are listed for A label and lesser class single doors, 4'0" x 10'0" maximum. Locks with 3/4" throw latch bolts are listed for A label and lesser class double doors, 4'0" x 10'0" per leaf maximum.

The DORMA CL800 and CK800 are certified to the requirements of ANSI A156.2 Series 4000 Grade 1. The CL800 meets A117.1 and ADA requirements for barrier-free accessibility. Manufactured in the USA.

California State Fire Marshall (CSFM) approved, California State Reference code, 1989 (formerly title 19).

Other Listings:

MEA

Cylinders and Keying:

- Unless otherwise specified, cylinders will be provided in DORMA standard keyway with two (2) nickel silver keys.
- Optional patented key system available.
- Refer to **DORMA Price List** for full details and options such as master keying, retrofit cylinders and keyways, and small format interchangeable cores.

Warranty: Five (5) year limited warranty.

Finishes:

Brass: 605 (Bright) or 606 (Satin).

Bronze: 612 (Satin) or 613 (Dark Oxidized Satin).

Chrome¹: 625 (Bright) or 626 (Satin).

Stainless²: 629 (Bright) or 630 (Satin).

1. Chrome finishes only available on lever handle locksets.

2. Stainless finishes only available on knob locksets.

In some instances, for customer convenience, the most appropriate BHMA finish symbols are used to indicate similarity of appearance, regardless of base metal or finishing process. Levers are zinc-based material and are finished to match finishes indicated. Finishes of latches, strikes, cylinders/cores, and visible mounting screws, though similar in appearance, may differ from the finish of the trim. Finish designations in the 600-Series are the BHMA (Builders Hardware Manufacturers Association) industry standard.

How to Order CL800/CK800 Series

Default Configuration - CL853 D LRC 626 RH:

- Cylindrical Lever Locks
- 800 Series Grade 1 Heavy-Duty
- Entry Function
- DORMA Component (Standard) 6-Pin Cylinder
- LR Lever Design
- 3-7/16" Diameter Rose
- Satin Chrome Finish
- Right Hand
- 2-3/4" Backset Latch Bolt with 1/2" Throw
- 4-7/8" ANSI (ASA) Curved Lip Strike
- 1-3/4" Thick Door
- Keyed Different with 2 Nickel Silver Keys


Function		Cylinder Type		Finish ⁴		Door Hand		Door Thickness ²		Strike Options ²		Lip Length ²		Keying Options Field ³	
Hotel (F93)	85			630	Satin Stainless (CK800 only)										
Asylum	82			629	Bright Stainless (CK800 only)										
Electrified Fail Secure	80EU			626	Satin Chrome (CL800 only)										
Electrified Fail Safe	80EL			625	Bright Chrome (CL800 only)										
Storeroom	80			613	Dark Oxidized Satin Bronze Oil Rubbed										
Classroom Intruder	77			612	Satin Bronze										
Corridor	73			606	Satin Brass (CL800 only)										
Communicating	72			605	Bright Brass										
Classroom	70														
Apartment	60														
Entry	53	D	Conventional Cylinder												
Hospital Privacy	44	L	Less Cylinder												
Privacy	40	C	Interchangeable Core												
Patio	30	J	Less I. Core												
Passage	10	T	Temporary I. Core												
Dummy Trim One Side	01														

Knob Trim	CK	Lever	LR	Rose	B	2-3/4" Dia. Rose	RH	Right Hand	18252	134	5001	118	XXXX
Lever Trim	CL	Lever	LC	Rose	C	3-7/16" Dia. Rose	RHR	Right Hand Reverse					
		Lever	LG				LH	Left Hand					
		Knob	KR				LHR	Left Hand Reverse					
		Knob	KB										

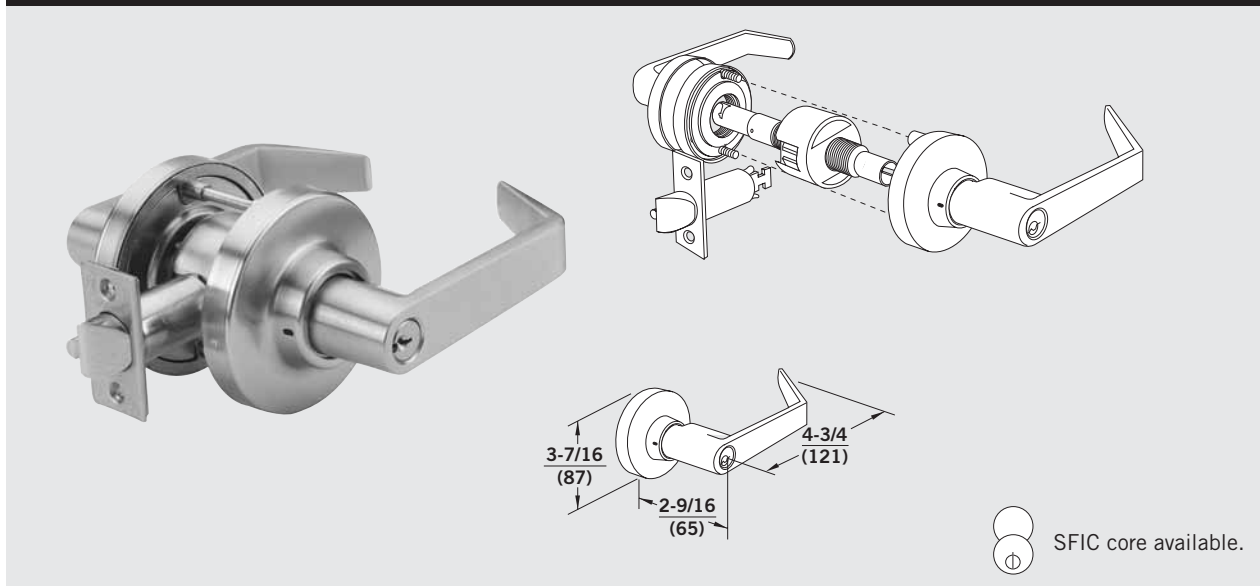
Product Type (CK, CL) | **Product Family** (8) | **Lever/Knob Design⁴** (LR, LC, LG, KR, KB) | **Rose/Escutcheon Design¹** (B, C) | **Door Hand** (RH, RHR, LH, LHR) | **Door Thickness²** (18252) | **Strike Options²** (134) | **Lip Length²** (5001) | **Keying Options Field³** (118, XXXX)

1. Rose B is applicable to KR/KB designs only.
Rose C is applicable to LR/LC/LG designs only.
2. Example shows default values. Refer to Lock Options section for full details.
3. Refer to **DORMA Price List** for full details.
4. For split finishes or split trims, consult factory.

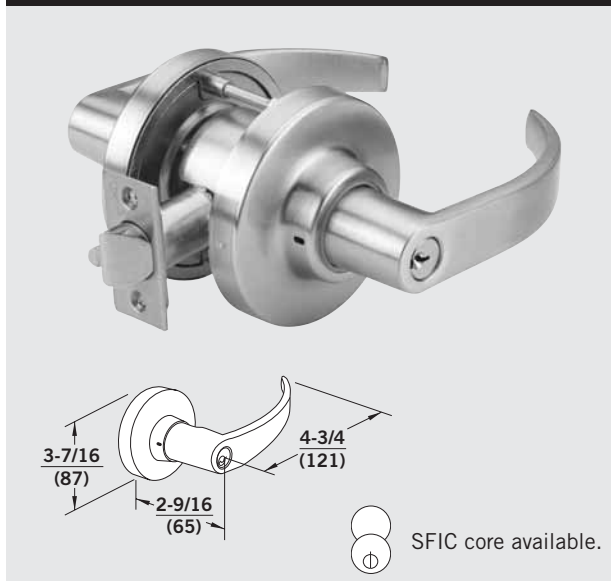
The CL800 Series ANSI Grade 1 Heavy-Duty Cylindrical Locks are available in three lever trim designs.

- CL800 locks feature a custom designed mechanism that allows locked outside lever to rotate through approximately 60° without damage.
-  ADA compliant levers feature solid, cast handles with return to within 1/2" (12 mm) of the door face.
- Independent return springs hold levers in correct horizontal position.
- Available Finishes:
Brass: 605 (Bright) or 606 (Satin)
Bronze: 612 (Satin) or 613 (Dark Oxidized)
Chrome: 625 (Bright) or 626 (Satin)

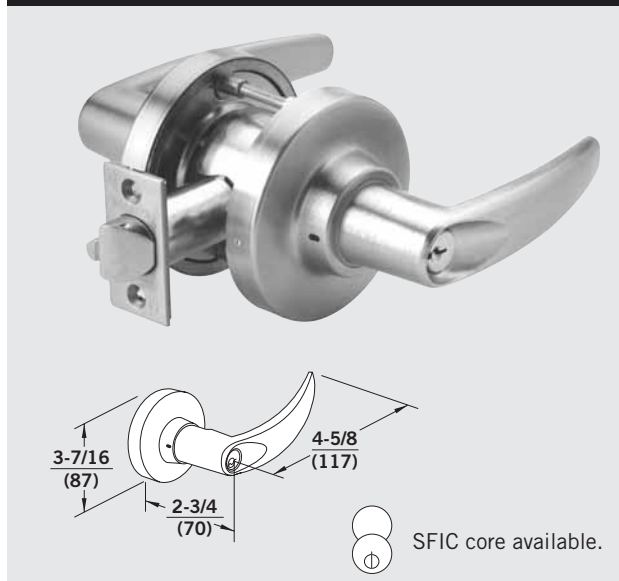
LEVER DESIGN – LR

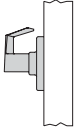
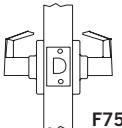
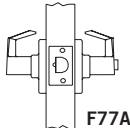
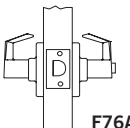
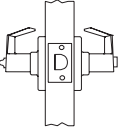
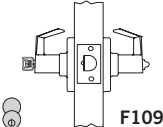
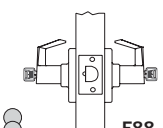
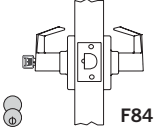


LEVER DESIGN – LC

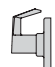


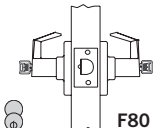
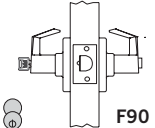
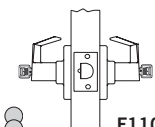
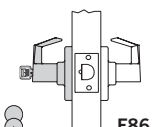
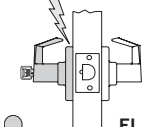
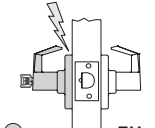
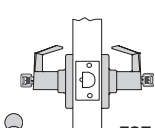
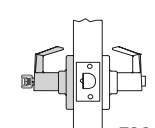
LEVER DESIGN – LG



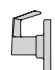
FUNCTION	SERIES	OUTSIDE/INSIDE	DESCRIPTION
Dummy Trim One Side	CL801 CK801		<ul style="list-style-type: none"> Used as pull or matching trim on pairs of doors.
Passage	CL810 CK810		<ul style="list-style-type: none"> Latch bolt operated by trim from either side at all times.
Patio	CL830 CK830		<ul style="list-style-type: none"> Deadlocking latch bolt operated by trim from either side. Outside trim locked by push button or locking device inside. Outside trim unlocked by inside trim. Outside trim unlocked by closing door. Inside trim always unlocked. Do not use in rooms that have no other entrance.
Privacy	CL840 CK840		<ul style="list-style-type: none"> Latch bolt operated by trim from either side. Outside trim locked by push button or locking device inside. Outside trim unlocked by emergency release from outside. Outside trim unlocked by inside trim. Outside trim unlocked by closing door. Inside trim always unlocked.
Hospital Privacy	CL844		<ul style="list-style-type: none"> Latch bolt operated by trim from either side. Outside trim locked by push button or locking device inside. Outside trim unlocked by emergency release from outside. Outside trim unlocked by inside trim. Outside trim unlocked by closing door. Inside trim always unlocked.
Entry	CL853 CK853		<ul style="list-style-type: none"> Deadlocking latch bolt operated by trim from either side, except when outside trim locked by push button inside. Key outside releases push button, unlocking outside trim, except when inside button pushed and turned to keep outside trim locked. Operating inside trim releases push button, unlocking outside trim, except when inside button pushed and turned to keep outside trim locked. Inside button must be turned to unlock outside trim. Inside trim always operates latch bolt.
Apartment	CL860 CK860		<ul style="list-style-type: none"> Deadlocking latch bolt operated by trim from either side, except when outside trim locked by key from inside. When outside trim locked, latch bolt retracted by key in outside trim. When outside trim locked, latch bolt operated by inside trim.
Classroom	CL870 CK870		<ul style="list-style-type: none"> Deadlocking latch bolt operated by trim from either side, except when outside trim locked by key from outside. Key in outside trim locks or unlocks outside trim. When outside trim locked, latch bolt operated by inside trim.

 Indicates SFIC Core available.

 Indicates rigid lever.

FUNCTION	SERIES	OUTSIDE/INSIDE	DESCRIPTION
Communicating	CL872 CK872	 F80	<ul style="list-style-type: none"> • Deadlocking latch bolt operated by trim from either side. • Turning key in trim locks, or unlocks, its own trim independently. • Do not use on doors in rooms that have no other exit.
Corridor	CL873 CK873	 F90	<ul style="list-style-type: none"> • Deadlocking latch bolt operated by trim from either side except when outside trim locked by key in outside trim. • Deadlocking latch bolt operated by trim from either side except when outside trim locked by push button on inside. • Key in outside trim locks or unlocks outside trim. • Operating inside trim releases push button. • Closing door restores push button placed in a locked position. • Inside trim always operates latch bolt.
Classroom Intruder	CL877	 F110	<ul style="list-style-type: none"> • Deadlocking latch bolt operated by trim from either side, except when outside trim locked by key from either side. • Inside trim always unlocked.
Storeroom	CL880 CK880	 F86	<ul style="list-style-type: none"> • Deadlocking latch bolt retracted by key in outside trim. • Deadlocking latch bolt operated by inside trim. • Outside trim always inoperable.
Electrified Fail Safe	CL880EL CK880EL	 EL	<ul style="list-style-type: none"> • Outside trim locked when power is on. • Outside trim unlocked when power is interrupted. • Inside trim always unlocked.
Electrified Fail Secure	CL880EU CK880EU	 EU	<ul style="list-style-type: none"> • Outside trim unlocked when power is on. • Outside trim locked when power is interrupted. • Inside trim always unlocked.
Asylum	CL882 CK882	 F87	<ul style="list-style-type: none"> • Deadlocking latch bolt retracted by key in trim from either side. • Both trims always rigid.
Hotel	CL885 CK885	 F93	<ul style="list-style-type: none"> • Deadlocking latch bolt operated by inside trim at all times. • Outside trim always inoperable. • Latch bolt retracted by key from outside except when push button, or other locking device, operated, thus shutting out all keys except emergency key. • Operating push button, or other locking device, operates visual indicator outside showing room occupied. • Operating inside trim releases indicator and shut out feature. • Closing door releases indicator and shut out feature.

 Indicates SFIC Core available.

 Indicates rigid lever.