



**CL700/CK700 Grade 2 Cylindrical Locksets**

Features . . . . .	3	Classroom – CL770, CK770 . . . . .	8
Technical Details and Specifications . . . . .	4	Storeroom – CL780, CK780 . . . . .	8
How to Order . . . . .	5		
<b>Trim Designs</b>			
CL700 LR Lever . . . . .	6	<b>Lock Options</b>	
CL700 LC Lever . . . . .	6	1/2" Throw Latch Bolt . . . . .	9
CL700 LG Lever . . . . .	6	4-7/8" Strike . . . . .	10
CK700 KR Knob . . . . .	7	T-Strike . . . . .	10
CK700 KB Knob . . . . .	7	Full Lip Strike . . . . .	10
<b>Functions</b>			
Dummy Trim One Side – CL701, CK701 . . . . .	8		
Passage – CL710, CK710 . . . . .	8		
Communicating Passage – CL725 . . . . .	8		
Patio – CL730, CK730 . . . . .	8		
Privacy – CL740, CK740 . . . . .	8		
Entry – CL753, CK753 . . . . .	8		

ISO 9001:2000



**Intertek**



The quality management systems at the Reamstown, PA and Steeleville, IL facilities are certified to ISO-9001.\*

\*DORMA Door Controls Inc., dba: DORMA Architectural Hardware

## DORMA's CL700 and CK700 Series Grade 2 cylindrical locksets provide exceptional security, enhanced aesthetics, and rugged dependability.

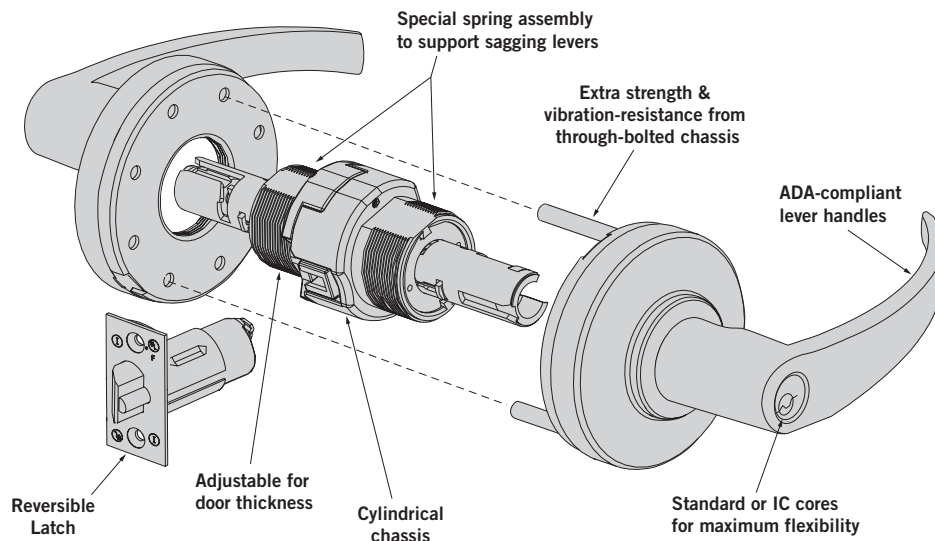
These key-in-lever locksets are built with a high performance cylindrical chassis for all applications where ANSI A156.2 Series 4000 Grade 2 products are required. To meet the aesthetic needs of your project, these versatile locks are available in a range of lever and knob trim designs — Choose between the LR, LC, and LG lever designs or the KR and KB knob designs.

### Recommended Applications

- Hotels
- Apartments
- Churches
- Municipal Buildings
- Airports
- Retail Complexes
- Offices
- Warehouses

### Features

- All DORMA 700 Series locks feature advanced design concepts, providing exceptional reliability and are manufactured with the finest materials, delivering enhanced durability.
- DORMA 700 Series locksets are easy to install in both wood or hollow metal doors with ANSI Standard A115 preparations for cylindrical locks.
- All CL700 lever handle locks include special spring assemblies designed to hold the levers in the correct position.
- The 700 Series locks are through-bolted for additional strength and increased resistance to vibration.
- All CL700 Series locks are easily adjustable to accommodate doors from 1-5/8" to 1-7/8" (1-3/8" to 1-7/8" for CK700) thick without spacers or special tools. Consult the factory for other door thicknesses.



**Technical Details:**

- CL700 Grade 2 Cylindrical Key-in-Lever Locksets;  
CK700 Grade 2 Cylindrical Key-in-Knob Locksets.
- Reversible handing.
- Stainless steel and zinc dichromate steel for corrosion-resistance.
- Independent return springs hold levers in correct horizontal position.
- Auxiliary deadlocking latch bolt prevents manipulation when door is closed.

**Certification:**

The DORMA CL700 and CK700 are U.L. and C.U.L listed, three hour fire rated. Locksets with 1/2" throw latch bolts are listed for A label and lesser class single doors, 4'0" x 10'0" maximum.

The DORMA CL700 and CK700 are certified to the requirements of ANSI A156.2 Series 4000 Grade 2. The CL700 meets A117.1 and ADA requirements for barrier-free accessibility.

California State Fire Marshall (CSFM) approved, California State Reference code, 1989 (formerly title 19).

**Other Listings:**

MEA

**Cylinders and Keying:**

- Unless otherwise specified, cylinders will be provided in DORMA standard keyway with two (2) nickel silver keys.
- Optional patented key system available.
- Refer to separate **DORMA Price List** for full details and options such as master keying, retrofit cylinders and keyways, and small format interchangeable cores.

**Warranty:** Two (2) year limited warranty.

**Finishes:**

Brass: 605 (Bright) or 606 (Satin).

Bronze: 612 (Satin) or 613 (Dark Oxidized Satin).

Chrome<sup>1</sup>: 625 (Bright) or 626 (Satin).

Stainless<sup>2</sup>: 629 (Bright) or 630 (Satin).

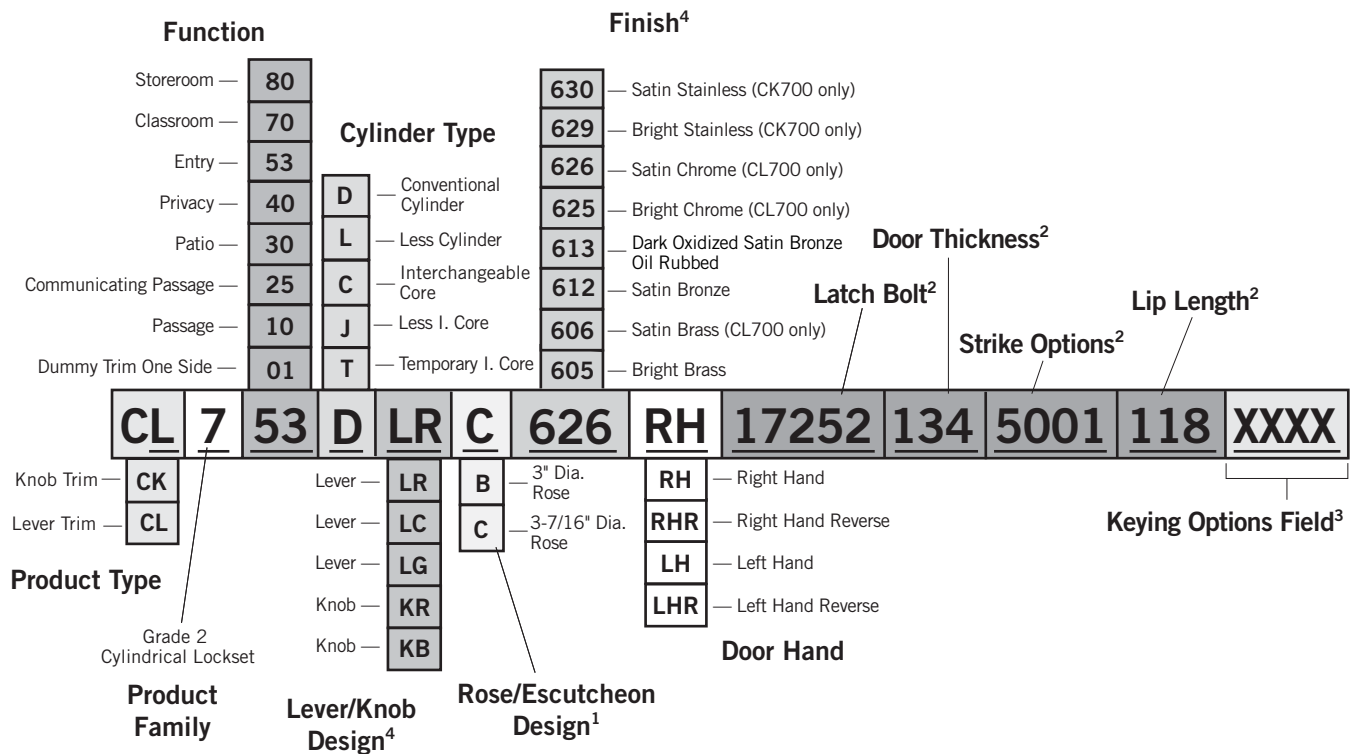
1. Chrome finishes only available on lever handle locksets.
2. Stainless finishes only available on knob locksets.

In some instances, for customer convenience, the most appropriate BHMA finish symbols are used to indicate similarity of appearance, regardless of base metal or finishing process. Levers are zinc-based material and are finished to match finishes indicated. Finishes of latches, strikes, cylinders/cores, and visible mounting screws, though similar in appearance, may differ from the finish of the trim. Finish designations in the 600-Series are the BHMA (Builders Hardware Manufacturers Association) industry standard.

How to Order CL700/CK700 Series


Default Configuration - CL753 D LRC 626 RH:

- Cylindrical Lever Locks
- 700 Series Grade 2
- Entry Function
- DORMA Component (Standard) 6-Pin Cylinder
- LR Lever Design
- 3-7/16" Diameter Rose
- Satin Chrome Finish
- Right Hand
- 2-3/4" Backset Latch Bolt with 1/2" Throw
- ANSI Strike with 1-1/8" Lip Length
- 1-3/4" Thick Door
- Keyed Different with 2 Keys

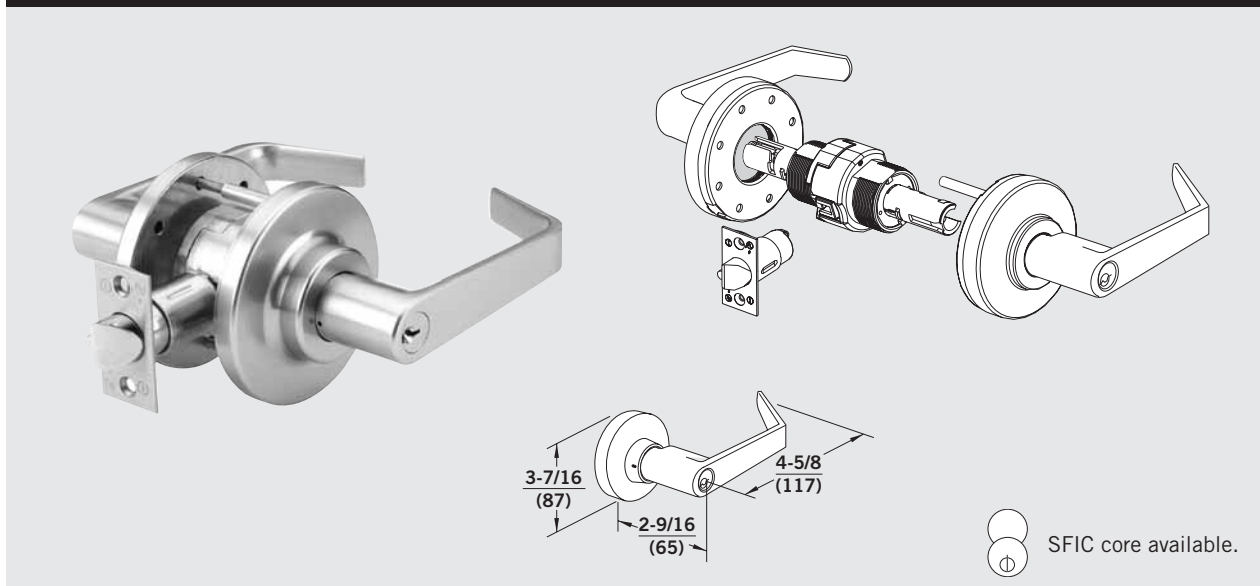


1. Rose B is applicable to KR/KB designs only.  
Rose C is applicable to LR/LC/LG designs only.
2. Example shows default values. Refer to Lock Options section for full details.
3. Refer to **DORMA Price List** for full details.
4. For split finishes or split trims, consult factory.

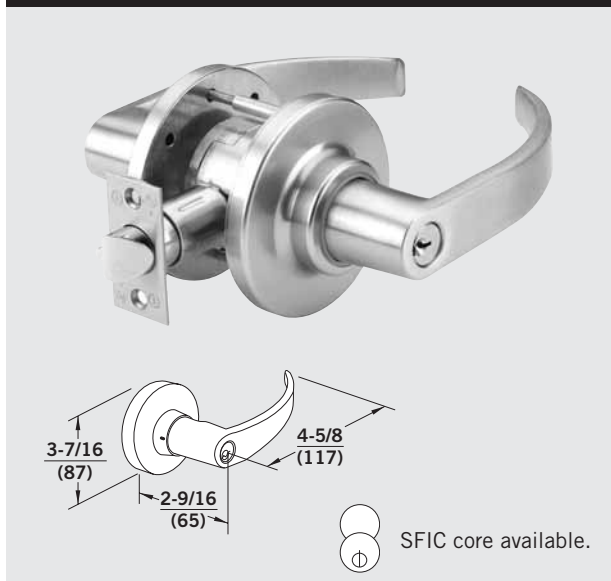
## The CL700 Series ANSI Grade 2 Cylindrical Locks are available in three lever trim designs.

-  ADA compliant levers feature solid, cast handles with return to within 1/2" (12 mm) of the door face.
- Available Finishes:  
 Brass: 605 (Bright) or 606 (Satin)  
 Bronze: 612 (Satin) or 613 (Dark Oxidized)  
 Chrome: 625 (Bright) or 626 (Satin)

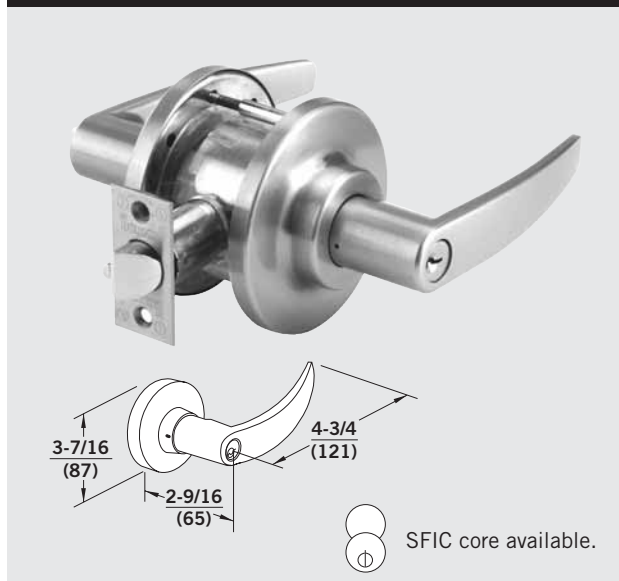
### LEVER DESIGN – LR

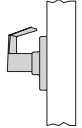
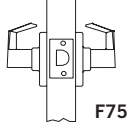
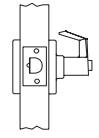
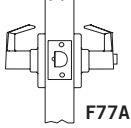
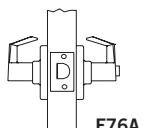
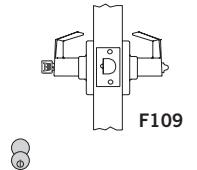
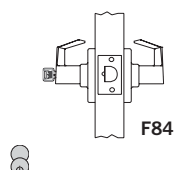
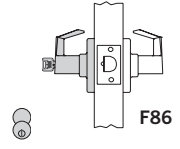


### LEVER DESIGN – LC

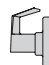


### LEVER DESIGN – LG



FUNCTION	SERIES	OUTSIDE/INSIDE	DESCRIPTION
Dummy Trim One Side	CL701 CK701		<ul style="list-style-type: none"> <li>Used as pull or matching trim on pairs of doors.</li> </ul>
Passage	CL710 CK710		<ul style="list-style-type: none"> <li>Latch bolt operated by trim from either side at all times.</li> </ul>
Communicating Passage	CL725		<ul style="list-style-type: none"> <li>Deadlocking latch bolt operated by inside trim.</li> <li>Blank plate outside.</li> </ul>
Patio	CL730 CK730		<ul style="list-style-type: none"> <li>Deadlocking latch bolt operated by trim from either side.</li> <li>Outside trim locked by push button or locking device inside.</li> <li>Outside trim unlocked by inside trim.</li> <li>Outside trim unlocked by closing door.</li> <li>Inside trim always unlocked.</li> <li>Do not use in rooms that have no other entrance.</li> </ul>
Privacy	CL740 CK740		<ul style="list-style-type: none"> <li>Latch bolt operated by trim from either side.</li> <li>Outside trim locked by push button or locking device inside.</li> <li>Outside trim unlocked by emergency release from outside.</li> <li>Outside trim unlocked by inside trim.</li> <li>Outside trim unlocked by closing door.</li> <li>Inside trim always unlocked.</li> </ul>
Entry	CL753 CK753		<ul style="list-style-type: none"> <li>Deadlocking latch bolt operated by trim from either side, except when outside trim locked by push button inside.</li> <li>Key outside releases push button, unlocking outside trim, except when inside button pushed and turned to keep outside trim locked.</li> <li>Operating inside trim releases push button, unlocking outside trim, except when inside button pushed and turned to keep outside trim locked.</li> <li>Inside button must be turned to unlock outside trim.</li> <li>Inside trim always operates latch bolt.</li> </ul>
Classroom	CL770 CK770		<ul style="list-style-type: none"> <li>Deadlocking latch bolt operated by trim from either side, except when outside trim locked by key from outside.</li> <li>When outside trim locked, latch bolt is operated by key in outside trim.</li> <li>When outside trim locked, latch bolt operated by inside trim.</li> </ul>
Storeroom	CL780 CK780		<ul style="list-style-type: none"> <li>Deadlocking latch bolt retracted by key in outside trim.</li> <li>Deadlocking latch bolt operated by inside trim.</li> <li>Outside trim always inoperable.</li> </ul>

 Indicates SFIC Core available.

 Indicates rigid lever.