



AMERICAN SPECIALTIES, INC.

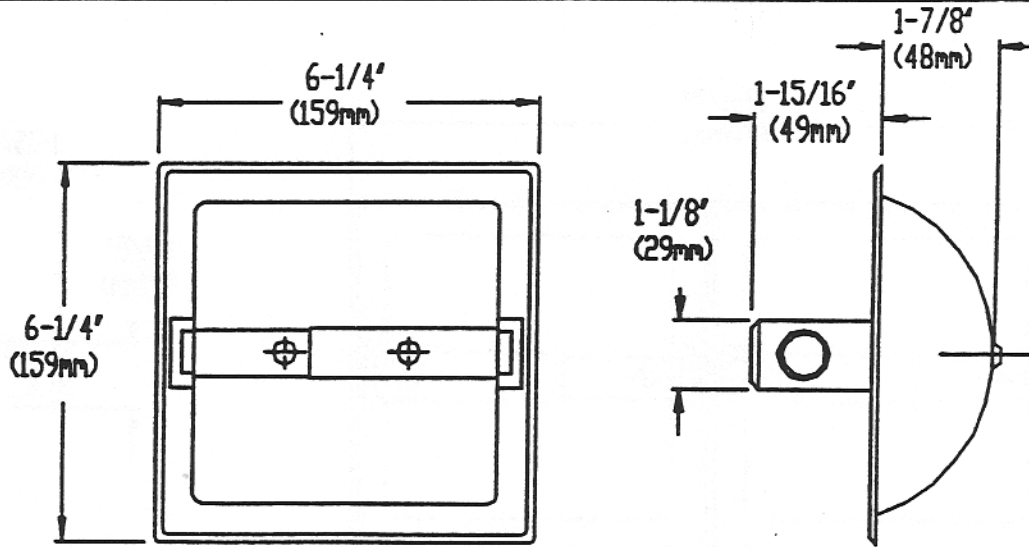
441 Saw Mill River Road, Yonkers, NY 10701 (914) 476-9000

MODEL No: 7402

ISSUED: 1-87

REVISED: 9-96

RECESSED MOUNTED TOILET PAPER HOLDER



FRONT VIEW

SIDE VIEW

SPECIFICATION

Recessed Toilet Paper Holder shall hold and dispense all standard core roll tissue, up to 6" dia. (152 mm) and shall be of one piece construction fabricated of alloy 18-8 stainless steel, type 304. Outer shell shall have two (2) perforated lugs for wet wall anchoring or two (2) dimple holes for dry wall installation. Roller shall be chrome plated high impact resistant ABS plastic and shall be spring-loaded. Mounting style shall be wet wall or dry wall as chosen by option and indicated by code suffix. All exposed surfaces shall be satin or bright finish as chosen by option and indicated by code suffix.

Recessed Mounted Toilet Paper Holder shall be Model N^o 7402 as fabricated by American Specialties, Inc., 441 Saw Mill River Road, Yonkers, New York 10701-4913

INSTALLATION

Wet wall installation: Slop grout into rough wall opening. Apply grout to back of unit and on lugs and push unit into opening. Set flange flush with face of finished wall.

Dry wall installation: Fasten unit to wall opening with (2) two N^o10 self tapping screws (supplied) through dimpled holes at back of shell. If dry wall clamp (Model N^o39, specified separately) is used, loosely attach mounting clamp to back of unit with two (2) 8-32 machine screws (supplied). Insert unit into wall opening and adjust clamp so that it grips surface inside opening. Secure unit by tightening screws.

For compliance with ADA Accessibility Guidelines unit should be installed with centerline of roller 19" (483mm)min. AFF to 44" (1118mm) max. AFF and forward edge of roll no farther than 36" (914mm) max. from rear wall behind commode.

Rough wall opening (RWO) required is 5-1/2" W x 5-1/2" H x 2" D (140mm x 140mm x 51mm).

OPTIONS

Optional finish and mounting style must be specified as either bright or satin and wet or dry wall. Specify finish and mounting by adding code suffixes to model number (i.e. 7402-SD or 7402-SW or 7402-BD or 7402-BW).

Option -S = Satin finish	Option B= Bright polish finish
Option -W = Wet wall installation	Option D= Dry wall installation

Accessory Specialties

AMERICAN DISPENSER

Desert Raq Products

WETROUS, INC.

THIS MANUFACTURER RESERVES THE RIGHT TO MAKE CHANGES IN DESIGN OR DIMENSIONS WITHOUT FORMAL NOTICE